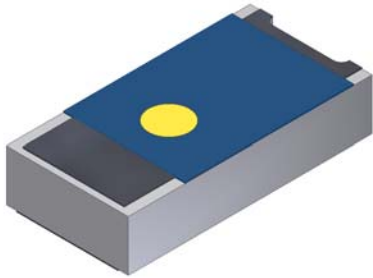


### Chip Termination 10 Watts, 50Ω



#### Description

The 060120A25X50 is high performance Alumina ( $Al_2O_3$ ) Chip termination intended as a low cost alternative to Aluminum Oxide (AlN). The termination is well suited to all cellular frequency bands such as; AMPS, GSM, DCS, PCS, PHS and UMTS.. The termination is also RoHS compliant!

#### General Specifications

<b>Resistive Element</b>	Thick film
<b>Substrate</b>	$Al_2O_3$ Ceramic
<b>Terminal Finish</b>	Matte Tin over Nickel Barrier
<b>Operating Temperature</b>	-55 to +125°C (see de rating chart)

Tolerance is  $\pm 0.010"$ , unless otherwise specified. Designed to meet or exceed applicable portions of MIL-E-5400. **All dimensions in inches.**

#### Electrical Specifications

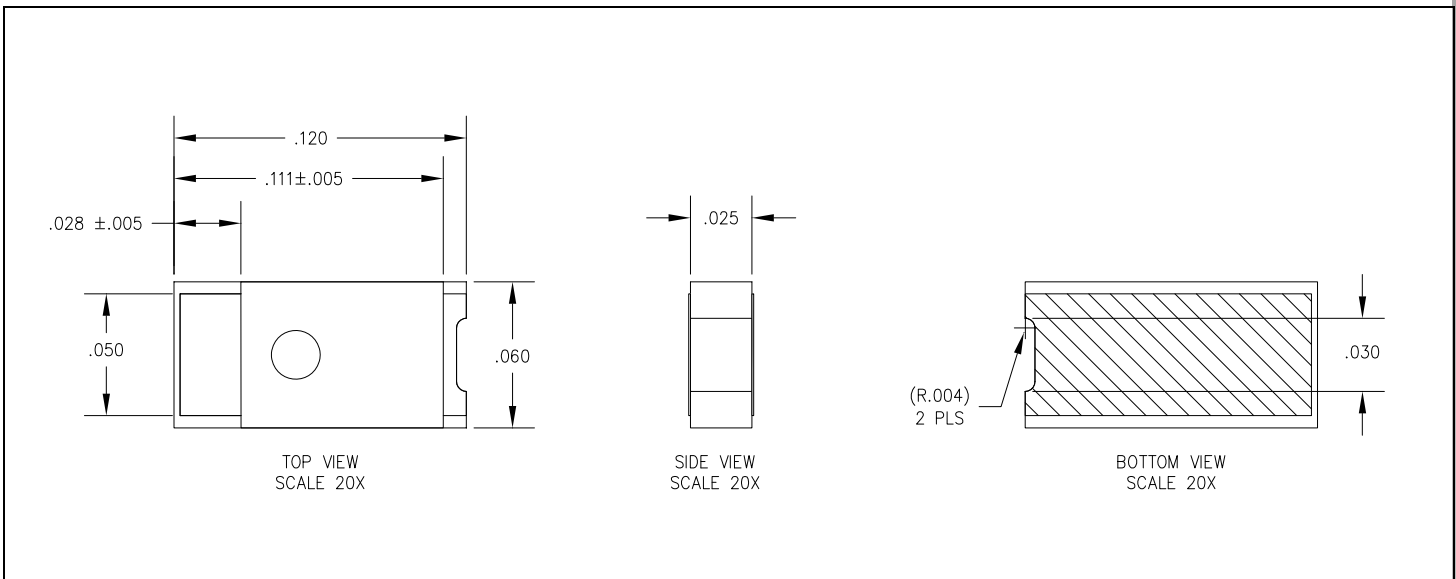
<b>Resistance Value:</b>	50 Ohms, $\pm 2\%$
<b>Power:</b>	10 Watts
<b>Frequency Range:</b>	DC – 6.0 GHz
<b>Return Loss</b>	>19 dB to 6.0 GHz

Specification based on unit properly installed using suggested mounting instructions and a 50 ohm nominal impedance. **Specifications subject to change.**

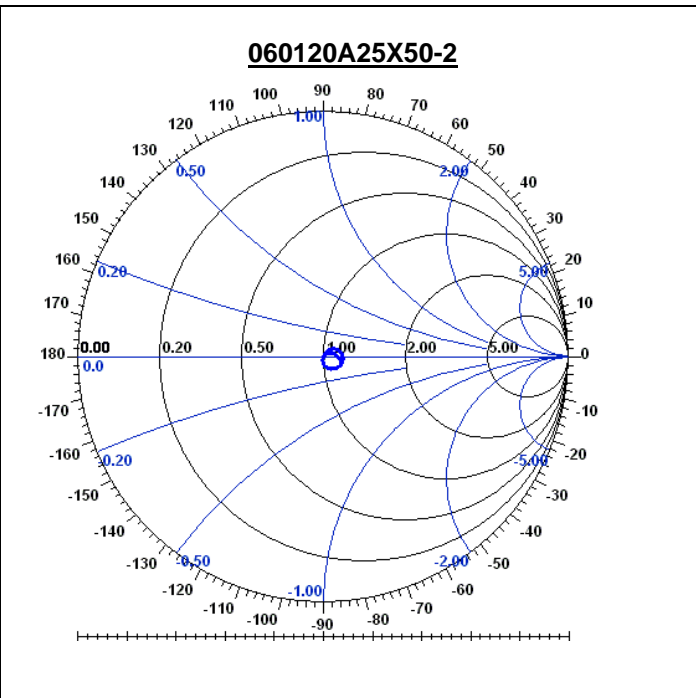
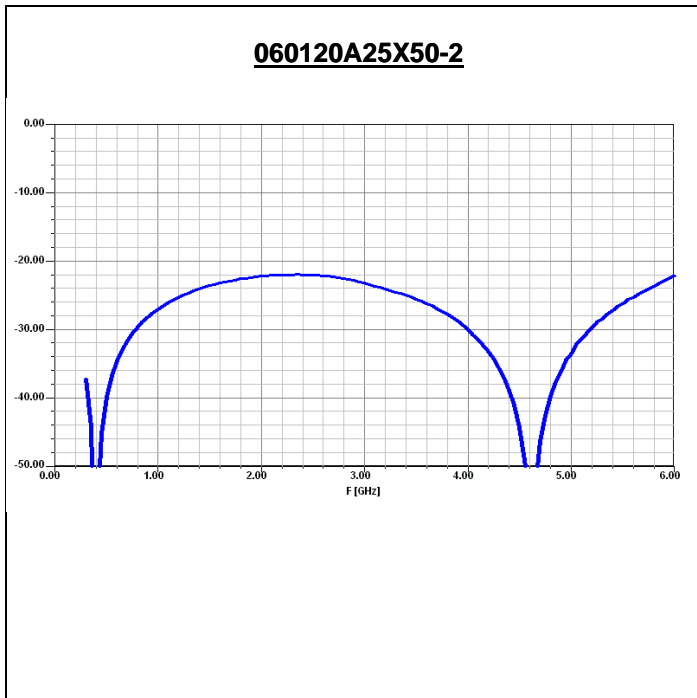
#### Features:

- RoHS Compliant
- 10 Watts
- DC – 6.0 GHz
- $Al_2O_3$  Ceramic
- Non-Nichrome Resistive Element
- Low VSWR
- 100% Tested
- Small Size

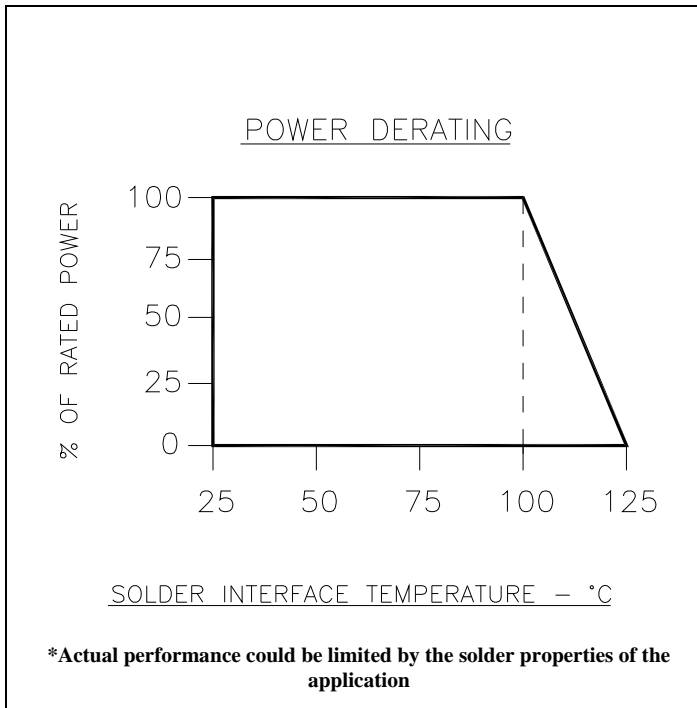
#### Outline Drawing



## Typical Performance:



## Power De-rating:



## Mounting Footprint and Procedure:

