

Directional Couplers In-Line Style

Applications

- Subassemblies
- Lab Systems
- Leveling Loops
- Power Monitoring
- Test and Calibration



Features

- Military Grade
- 250 - 500 MHz
- "In-Line" Configuration
- Connectors Per MIL-C-39012
- Rugged Aluminum Housing
- Built in Termination

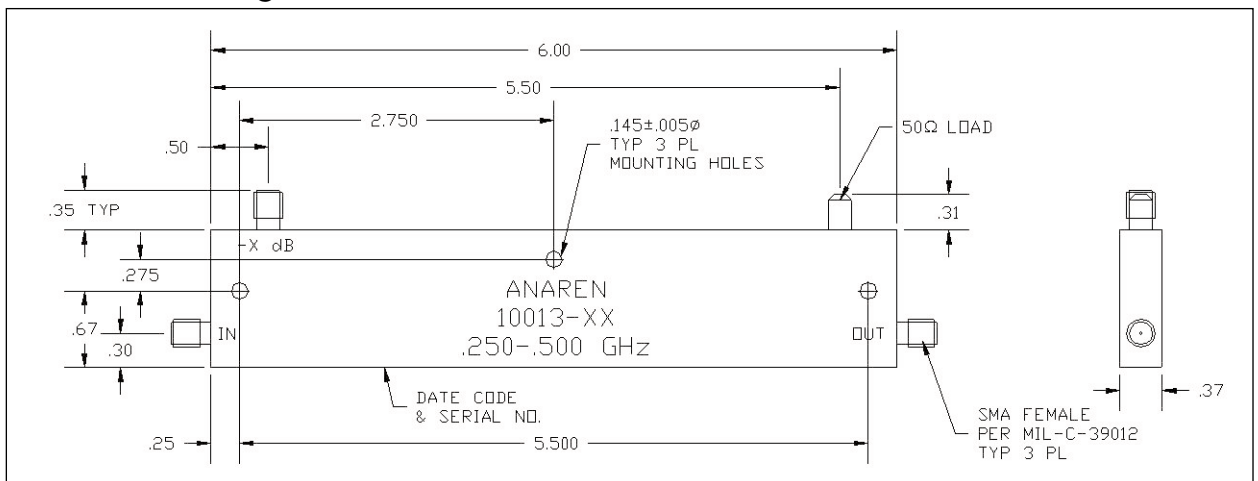
Electrical Specifications

Model#	Frequency MHz	Coupling dB Mean	Insert. Loss dB Max	Input VSWR Max:1
10013-6	250 - 500	6.0 ± 0.5	0.25	1.15
10013-10	250 - 500	10.0 ± 0.5	0.25	1.15
10013-20	250 - 500	20.0 ± 1.0	0.25	1.15
10013-30	250 - 500	30.0 ± 1.5	0.25	1.15

Model #	Freq. Sems. dB Max	Directivity dB Min/Typ	Max CW Power* Forward	Backward
10013-6	±0.75	20/25	20	2
10013-10	±0.80	20/25	50	5
10013-20	±0.80	17/22	100	50
10013-30	±0.80	15/20	100	100

Notes: Electrical and Mechanical Specifications subject to change without notice. Impedance: 50 ohms nominal. Meets MIL-E-5400 Class 3 requirements. Additional screening available for military and space applications. *These power ratings apply when coupled port VSWR is 2.0:1 or less. Higher power can be handled with a lower VSWR termination. In general the Max CW Power is identical to 3 dB couplers when there is no internal termination or one supplied by Anaren. All models have SMA connectors.

Outline Drawing



Sales Desk USA: Voice: (800) 544-2414 Fax: (315) 432-9121
Sales Desk Europe: Voice: (+44) 23 92 232392 Fax: (+44) 23 92 251369