

Hybrid Couplers 3 dB, 90°

Applications

- Balanced Mixers
- Antenna Feed Networks
- Phasing Networks
- Divider/Combiners



Features

- Military Grade
- 2-Way Power Split
- Quadrature
- Connectors Per MIL-C-39012
- Rugged Aluminum Housing
- Low VSWR

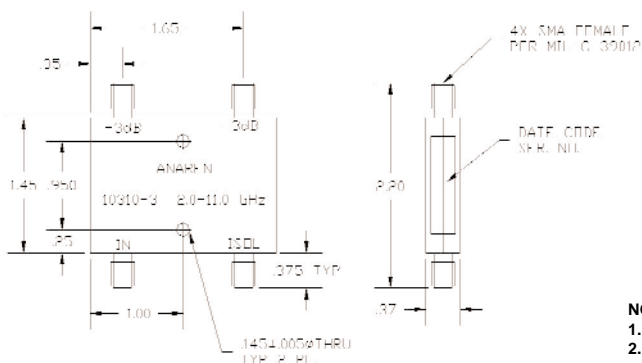
Electrical Specifications

Frequency GHz	Isolation dB Min/Typ	Insert. Loss dB Max	VSWR Max : 1
2.0 - 11.0	15/20	1.2	1.65
Amp. Bal. dB Max	Phase Bal. Degrees Max	Power Ave. CW Watts	
±1.00	±5.0	80	

Notes: Impedance: 50 ohms nominal. Meets MIL-E-5400 Class III requirements. Additional screening available for military and space applications.

Electrical and Mechanical Specifications subject to change without notice.

Outline Drawing



NOTES:

1. MARKING SHALL BE IN ACCORDANCE WITH MIL-STD-130
2. FINISH: EPOXY COATING PER MIL-C-22750
COLOR CHIP 35180 (BLUE) PER FED-STD-595
OVER EPOXY PRIMER PER MIL-P-23377
3. DIMENSIONS ARE IN INCHES