

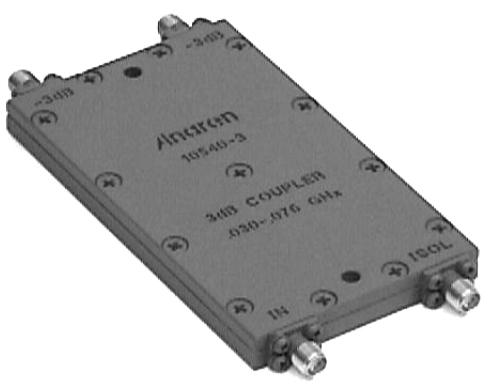
Model 10540-3



Hybrid Couplers 3 dB, 90°

Applications

- Balanced Mixers
- Antenna Feed Networks
- Phasing Networks
- Divider/Combiners



Features

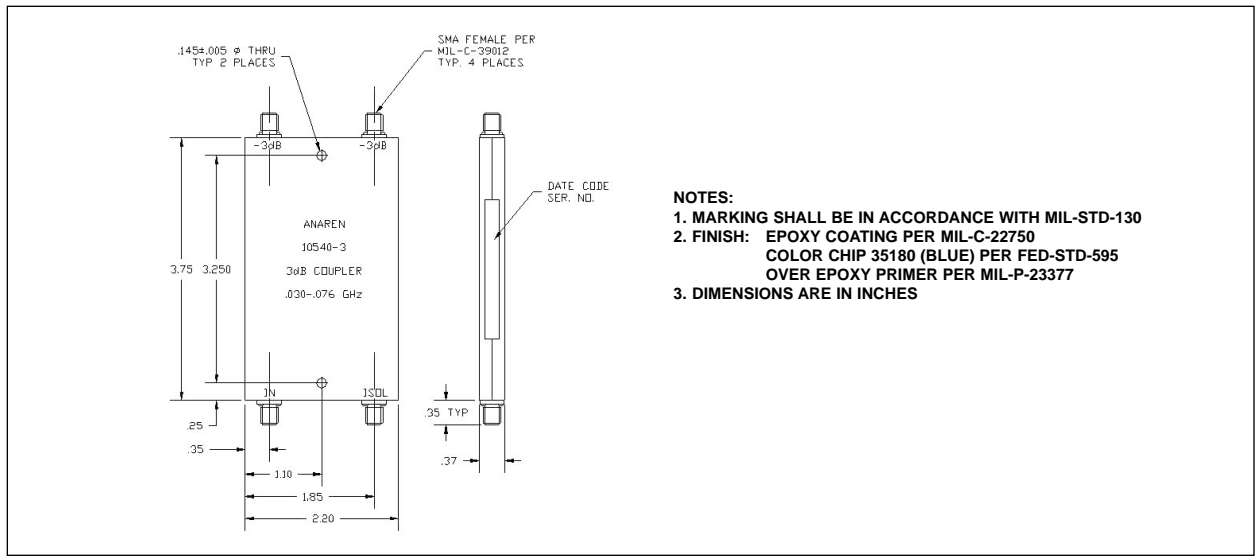
- Military Grade
- 2-Way Power Split
- Quadrature
- Connectors Per MIL-C-39012
- Rugged Aluminum Housing
- Low VSWR

Electrical Specifications

Frequency <i>MHz</i>	Isolation <i>dB Min/Typ</i>	Insert. Loss <i>dB Max</i>	VSWR <i>Max : 1</i>
30 - 76	20/25	0.50	1.20
Amp. Bal. <i>dB Max</i>	Phase Bal. <i>Degrees Max</i>	Power <i>Ave. CW Watts</i>	
±0.75	±5.0	800	

Notes: Impedance: 50 ohms nominal. Meets MIL-E-5400 Class III requirements. Additional screening available for military and space applications.
Electrical and Mechanical Specifications subject to change without notice.

Outline Drawing



Sales Desk USA: Voice: (800) 544-2414 Fax: (315) 432-9121
Sales Desk Europe: Voice: (+44) 23 92 232392 Fax: (+44) 23 92 251369