

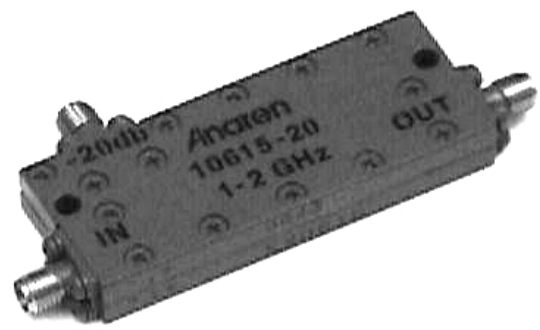


# Model 10615-XX

## Directional Couplers "In-Line" Style

### Applications

- Subassemblies
- Lab Systems
- Leveling Loops
- Power Monitoring
- Test and Calibration



### Features

- Military Grade
- 1.0 - 2.0 GHz
- "In-Line" Configuration
- Connectors Per MIL-C-39012
- Rugged Aluminum Housing
- Built in Termination

### Electrical Specifications

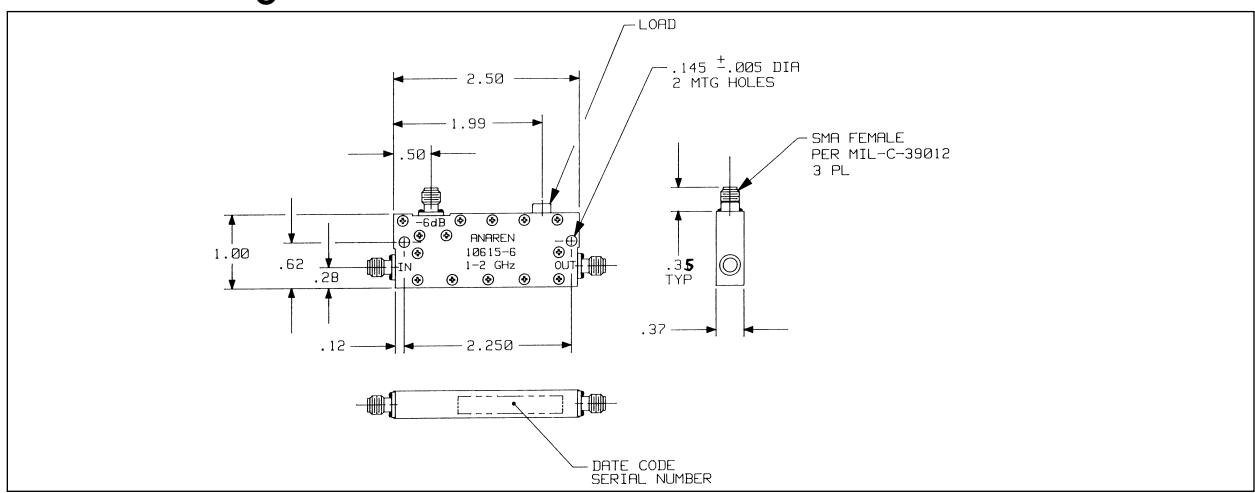
Model#	Frequency GHz	Coupling dB Mean	Insert. Loss dB Max	Input VSWR Max:1
10615-6	1.0 - 2.0	6.0 ± 0.5	0.30	1.20
10615-10	1.0 - 2.0	10.0 ± 0.5	0.30	1.20
10615-20	1.0 - 2.0	20.0 ± 1.0	0.30	1.20
10615-30	1.0 - 2.0	30.0 ± 1.5	0.30	1.20

Model #	Freq. Sems. dB Max	Directivity dB Min/Typ	Max CW Power*	
			Forward	Backward
10615-6	±0.75	20/25	20	2
10615-10	±0.80	20/25	50	5
10615-20	±0.80	20/25	100	50
10615-30	±0.80	15/20	100	100

**Notes: Electrical and Mechanical Specifications subject to change without notice.** Impedance: 50 ohms nominal. Meets MIL-E-5400 Class 3 requirements. Additional screening available for military and space applications. \*These power ratings apply when coupled port VSWR is 2.0:1 or less. Higher power can be handled with a lower VSWR termination. In general the Max CW Power is identical to 3 dB couplers when there is no internal termination or one supplied by Anaren. All models have SMA connectors.

### Outline Drawing



**Sales Desk USA:** Voice: (800) 544-2414 Fax: (315) 432-9121  
**Sales Desk Europe:** Voice: (+44) 23 92 232392 Fax: (+44) 23 92 251369