

Anaren®

What'll we think of next?®



Anaren Integrated Radio

A8520E24A91 Users Manual

Release Date Dec 27th 2010



Anaren Integrated Radio

THIS PAGE LEFT INTENTIONALLY BLANK



Anaren Integrated Radio

Users Manual

Model A8520E24A91

Contents

1.	Overview	5
1.1.	Features.....	6
2.	Theory of Operation.....	6
2.1.	Network Topology and Nomenclature.....	9
2.2.	Adaptive Frequency Hopping.....	10
2.3.	Applications	13
3.	Product Approvals.....	13
3.1.	USA (Federal Communications Commission, FCC, FC)	13
3.1.1.	<i>FCC Labeling Requirements</i>	14
3.1.2.	<i>End User Manual</i>	14
3.1.3.	<i>RF Exposure</i>	15
3.2.	Canada (Industry Canada, IC).....	15
3.3.	Potential Interference Sources	17
4.	Electrical Characteristics	18
4.1.	Absolute Maximum Ratings	18
4.2.	Operating Conditions	19
4.3.	Pin Out.....	19
4.4.	Recommended Layout.....	22
4.5.	Power Supply Considerations	23
5.	Configuration and Programming	24
5.1.	Calibrating Transmit Power	24
5.2.	Programming.....	25



THIS PAGE LEFT INTENTIONALLY BLANK



Anaren Integrated Radio

1. Overview

The A8520E24A91 series modules are surface mount modules integrating a CC85xx PurePath™ wireless audio transceiver with the CC2591 PA/LNA device for increased range and an integral antenna. The module incorporates a crystal, the required RF matching and filtering for FCC compliance as well as filtering on all digital lines for noise reduction and sensitivity. The modules operate in the global non-licensed 2.4GHz ISM/SRD frequency band. These radio modules are ideal for achieving low power, long range wireless connectivity without having to deal with extensive Protocol, RF, antenna design and regulatory compliance, allowing quick time to market. The modules are 100% tested to provide consistent performance.

The A8520E24A91 series modules have received regulatory approvals for modular devices in the United States (FCC) and Canada (IC). The modular approval allows the end user to place an A8520E24A91 module inside a finished product without having to perform costly regulatory testing for an intentional RF radiator. Section 3 has information on the requirements for the end user/integrator must fulfill to use the modules without intentional radiator regulatory testing.

The A85xxE91A91 is based on the CC85xx series chips and the CC2591 chip, both from Texas Instruments. All control lines are provided at module level for full control of its operation. Please see the CC85xx and CC2591 data sheet (www.ti.com) for how to operate, program and control the module. The PurePath™ protocol is developed, by Texas Instruments, specifically for the CC85xx series chips and specifically for digital audio distribution. At the extremes of its range, the protocol provides graceful degradation of the audio signal using algorithms like interpolation, to make intermittent connectivity inaudible. Thus the A8520E24A91 series modules are not suitable for strict data transport.

The module/protocol is configured and programmed by the OEM/Integrator to setup the specific Codec chip used for audio conversion and to setup control buttons and manufacturer/network addresses. This is described in detail in the CC85xx datasheet, users guide and PurePath™ documentation on Texas Instruments web (www.ti.com). Specifics pertaining to calibrating the transmit power from the module is covered in section 5.1.

The A8520E24A91 module measures 11x19x2mm and are footprint compatible with other family members:

- A85xxE24A90 – ETSI compliant version similar to the A8520E24A91.
- A85xxR24A00 – Lower power consumption, shorter range modules.



1.1. Features

Features:

- Un-Compressed Wireless Audio Connectivity
- Pre-defined protocol
- Configurable human interface
- Autonomous or Hosted mode

Benefits Summary:

- Operating temperature -40 to +85C
- 100% RF Tested in production for repeatable performance
- Common footprint for multiple family members
- No RF engineering experience necessary
- No protocol experience necessary
- Only requires a 2 layer Host PCB implementation
- FCC & IC certified
- No regulatory “Intentional radiator” testing required to integrate module into end product. Simple certification labeling replaces testing.

2. Theory of Operation

The A8520E24A91 interfaces directly to a audio Codec chip through the I²S for audio data and though I²C fro volume control and other Codec chip settings.

Below a block diagram is given for the A8520E24A91 module.

- Antenna
 - The antenna couples energy between the air and the module. The integral antenna provides a near omni-directional antenna pattern with high efficiency; such that the application will work equally well in any direction. Note that the end radiation pattern depend not only on the antenna, but also the ground plane, enclosure and installation environment.
- Filtering
 - Filtering removes spurious signals to comply with regulatory intentional radiator requirements as well as provide reduced susceptibility to power supply and digital noise, as well as filter out RF and high frequency noise from the digital audio and control link (I²S, I²C).
- Matching
 - The matching provides the correct loading of the transmit amplifier to achieve the highest output power as well as the correct loading for the receive LNA to achieve the best sensitivity.
- Protocol



Anaren Integrated Radio

- The protocol implements an entire wireless audio transport mechanism with adaptive frequency usage, retransmission of lost packets as well as a low data rate link for remote control purposes.



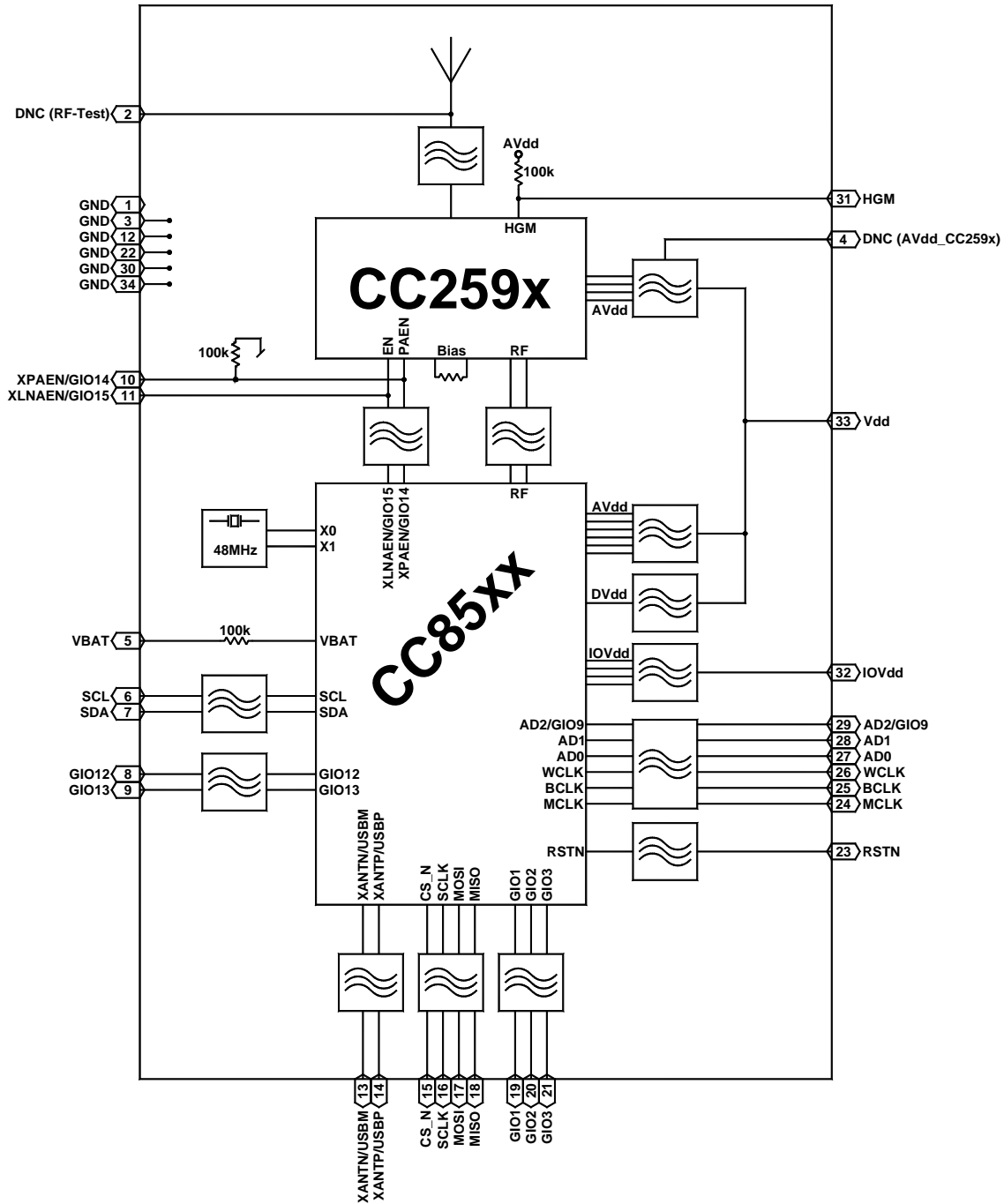


Figure 1 the functionality of the A8520E24A91, using an integral antenna



Anaren Integrated Radio

2.1. Network Topology and Nomenclature

A A8520E24A91 network consists of one Protocol Master (PM) and one or two Protocol Slave(s) (PS). The PM provides the audio reference clock and controls network association. The PS regenerate the audio reference clock based on the packets received. Audio can be transmitted from the PM to a PS. The device receiving the audio is called an Audio Sink, the device sending the audio is called an Audio Source. A device can be both Audio Sink and Audio Source at the same time (bidirectional audio will be supported in future revisions of the firmware). The CC8520 network also includes a Data Side-Channel which is a bi-directional data link between the PM and all PS in the network. This is further described in chapter 8.

Error! Reference source not found. Illustrates the different network topologies that can be formed with CC8520 using the different firmware versions.



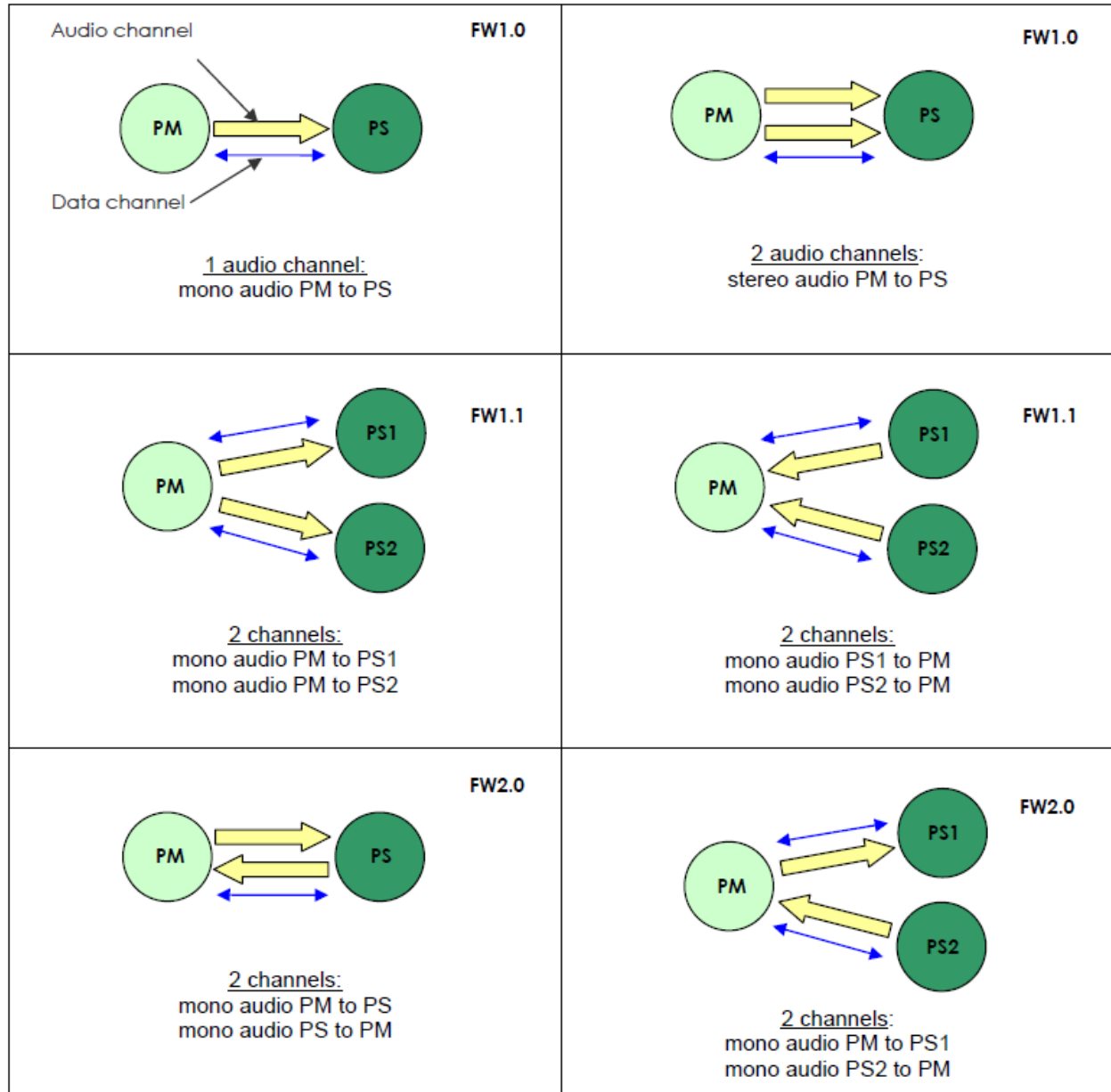


Figure 2 A8520E24A91 topologies supported for different A8520E24A91 FW revisions

2.2. Adaptive Frequency Hopping

The purpose of using frequency hopping in a radio system is to provide diversity that allows data throughput to be maintained even if interfering radio systems or the physical environment (e.g. multipath fading) renders some RF channels unusable. In the 2.4 GHz ISM band, the sheer amount of radio systems and the severity and dynamic nature of indoor fading phenomena in typical operating environments require the use of this kind of diversity if a



minimum data throughput is to be guaranteed (as audio streaming requires). Frequency hopping systems can either implement a fixed sequence of channel hops or adapt its hopping sequence dynamically to the changing environment it operates in. In order to maximize its own chances of delivering audio data in time and to co-exist amicably with other fixed-frequency or adaptive frequency hopping systems, PurePath Wireless uses an adaptive frequency hopping (AFH) scheme that adapts to changing conditions within tens of milliseconds. PurePath Wireless divides the 2.4 GHz band into 18 RF channels with 4 MHz bandwidth. A protocol master, which controls the adaptive frequency hopping scheme for the audio network, maintains a table with an entry for each RF channel and an associated quality-of-service (QoS) estimate for each. Each time an RF channel is used the QoS estimate is updated based on what happens during the timeslot. The frequency hopping algorithm separates the 18 RF channels into two sets:

- A set of 4 active channels
- A set of 14 trial channels

The active channel set contains the preferred RF channels that have proven that they provide sufficiently good quality-of-service. The trial channel set contains the remaining RF channels that are only evaluated occasionally in order to be able to maintain an accurate picture of their quality-of-service. If the QoS estimate of an RF channel in the active set goes beyond a minimum threshold this channel is swapped out with the RF channel in the trial channel set that has the best QoS estimate. Other factors play in when selecting a new RF channel to the active channel set, such as trying to maintain a certain minimum distance in frequency between the different active channels.



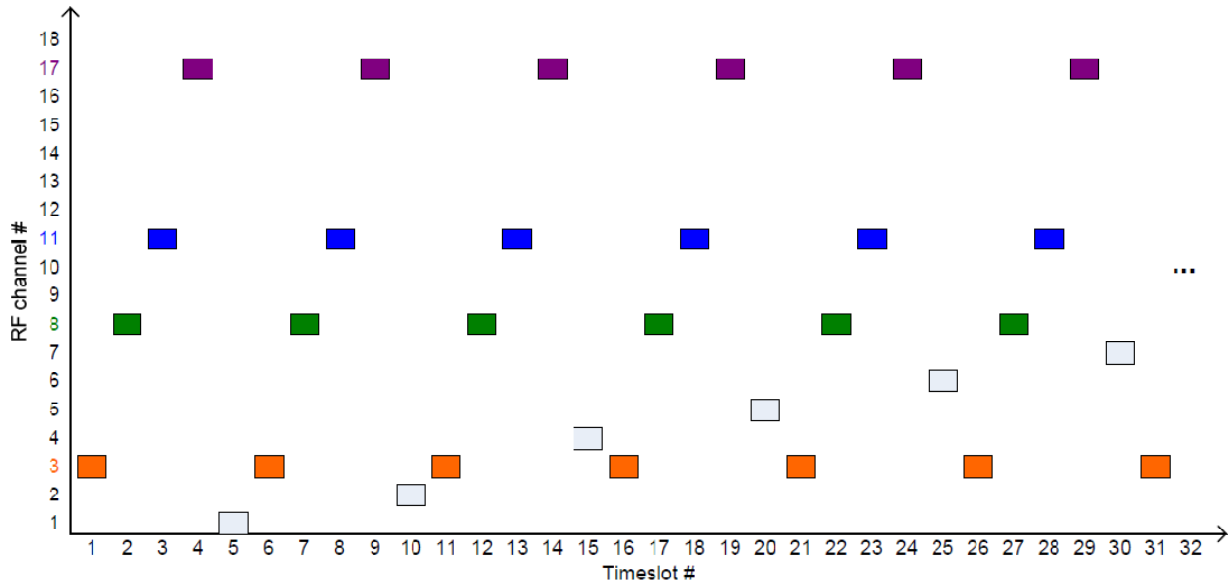


Figure 3 Example of AFH hop sequence (active set in color, trial set in black/gray)

The frequency hopping algorithm, when no swaps between the active and trial channel sets occur, goes through a sequence of 70 hops over the course of which every RF channel has been used.

- This 70-hop macrosequence consists of 14 repetitions of a
 - 5-hop microsequence during which
 - Each of the four active RF channels are used once
 - One of the trial RF channels is used once (cycling through all trial channels over the course of a macrosequence)

Figure 3 illustrates this concept. This gives an average steady-state RF channel usage in an audio network of:

- Each of the four active channels are used 20% of the time
- Each trial channel is used 1.43% of the time

The channels correspond to center frequencies as follows:

Channel	Center Frequency [MHz]	Channel	Center Frequency [MHz]
1	2406	10	2442
2	2410	11	2446
3	2414	12	2450
4	2418	13	2454
5	2422	14	2458



Anaren Integrated Radio

6	2426	15	2462
7	2430	16	2466
8	2434	17	2470
9	2438	18	2474

2.3. Applications

- Wireless headphones
- Wireless headsets
- Wireless speakers
- Wireless studio equipment
- Wireless microphones

3. Product Approvals

The A8520E24A91 have been designed to meet FCC and Industrie Canada (IC) regulations. In particular the radio modules have been certified to the following.

3.1. USA (Federal Communications Commission, FCC, FCC)

The A8520E24A91, with integrated antenna has been tested to comply with FCC CFR47 Part 15 sub-part C “Intentional Radiators. The devices meet the requirements for modular transmitter approval as detailed in FCC public notice DA 00-1407 Released: June 26, 2000. The A8520E24A91 module can be integrated into a finished product with obtaining subsequent FCC approvals.

(15.19a3) The modules complies with part 15 of the FCC rules. Operation is subject to the following two conditions: (1) this device may not cause harmful interference, and (2) this device must accept any interference received, including interference that may cause undesired operation.

Any changes or modifications not expressly approved by the party responsible for compliance could void the users authority to operate the equipment.



Anaren
FCC ID: X7J-A10051701



Anaren Integrated Radio

3.1.1. FCC Labeling Requirements

The A8520E24A91 modules have been labeled with their own FCC ID number and if the FCC ID is not visible when the module is installed inside another device, then the outside of the finished product into which the module is installed must also display a label referring to the enclosed module. This exterior label can use wording such as the following:

Contains Transmitter Module FCC ID: X7J-A10051701

-or-

Contains FCC ID: X7J-A10051701

This device complies with Part 15 of the FCC Rules.

Operation is subject to the following two conditions:

(1) this device may not cause harmful interference, and (2) this device must accept any interference received, including interference that may cause undesired operation.

3.1.2. End User Manual

The end user manual should include the following statement:

This equipment has been tested and found to comply with the limits for a Class B digital device, pursuant to part 15 of the FCC Rules. These limits are designed to provide reasonable protection against harmful interference in a residential installation. This equipment generates, uses and can radiate radio frequency energy and, if not installed and used in accordance with the instructions, may cause harmful interference to radio communications. However, there is no guarantee that interference will not occur in a particular installation. If this equipment does cause harmful interference to radio or television reception, which can be determined by turning the equipment off and on, the user is encouraged to try to correct the interference by one or more of the following measures:

- Reorient or relocate the receiving antenna.
- Increase the separation between the equipment and receiver.
- Connect the equipment into an outlet on a circuit different from that to which the receiver is connected.
- Consult the dealer or an experienced radio/TV technician for help.



Anaren Integrated Radio

3.1.3. RF Exposure

All transmitters regulated by FCC must comply with RF exposure requirements. OET Bulletin 65 “Evaluating Compliance with FCC Guidelines for Human Exposure to Radio Frequency Electromagnetic Fields” provides assistance in determining whether proposed or existing transmitting facilities, operations or devices comply with limits for human exposure to Radio Frequency (RF) fields adopted by the Federal Communications Commission (FCC). The bulletin offers guidelines and suggestions for evaluating compliance.

If appropriate, compliance with exposure guidelines for mobile and unlicensed devices can be accomplished by the use of warning labels and by providing users with information concerning minimum separation distances from transmitting structures and proper installation of antennas.

The following statement must be included as a CAUTION statement in manuals and OEM products to alert users of FCC RF Exposure compliance:

To satisfy FCC RF Exposure requirements for mobile and base station transmission devices, a separation distance of 20 cm or more should be maintained between the antenna of this device and persons during operation. To ensure compliance, operation at closer than this distance is not recommended. The antenna(s) used for this transmitter must not be co-located or operating in conjunction with any other antenna or transmitter.

If the A8520E24A91 module is used in a portable application (antenna is less than 20 cm from persons during operation), the integrator/OEM is responsible for performing Specific Absorption Rate (SAR) testing in accordance with FCC rules 2.1093.

3.2. Canada (Industry Canada, IC)

The A8520E24A91 modules has been certified for use in Canada under Industry Canada (IC) Radio Standards Specification (RSS) RSS-210 and RSS-Gen.

Host devices which contain separately certified modules do not need to be recertified, provided that they meet the following conditions:

- a) The host device, as a stand-alone unit without any separately certified modules, complies with all applicable Radio Standards Specifications.
- b) The host device and all the separately certified modules it contains jointly meet the RF exposure compliance requirements of RSS-102, if applicable.
- c) The host device complies with the certification labeling requirements of each of the modules it contains.

Note: Compliance of a module in its final configuration is the responsibility of the applicant. A host device will not be considered certified if the instructions regarding antenna configuration



provided in the original description, of one or more separately certified modules it contains, were not followed.

3.2.1. IC Labeling Requirements

From section 3.2.1 RSS-Gen, Issue 3, December 2010, Labeling Requirements for the Host Device:

The host device shall be properly labeled to identify the modules within the host device. The Industry Canada certification label of a module shall be clearly visible at all times when installed in the host device, otherwise the host device must be labeled to display the Industry Canada certification number of the module, preceded by the words “Contains transmitter module”, or the word “Contains”, or similar wording expressing the same meaning

From section 5.2, RSS-Gen, Issue 3, December 2010, Equipment Certification Numbers and Labels: Every unit of Category I radio apparatus certified for marketing and use in Canada shall bear a permanent label on which is indelibly displayed the model number and Industry Canada certification number of the equipment model (transmitter, receiver, or inseparable combination thereof). Each model shall be identified by a unique combination of a model number and a certification number, which are assigned as described below in this section.

The label shall be securely affixed to a permanently attached part of the device, in a location where it is visible or easily accessible to the user, and shall not be readily detachable. The label shall be sufficiently durable to remain fully legible and intact on the device in all normal conditions of use throughout the device’s expected lifetime. These requirements may be met either by a separate label or nameplate permanently attached to the device or by permanently imprinting or impressing the label directly onto the device.

The label text shall be legible without the aid of magnification, but is not required to be larger than 8-point font size. If the device is too small to meet this condition, the label information may be included in the user manual upon agreement with Industry Canada.

Label:

Contains/Contient IC: 8975A- A10051701

Notice: This device complies with Industry Canada licence-exempt RSS standard(s). Operation is subject to the following two conditions: (1) this device may not cause interference, and (2) this device must accept any interference, including interference that may cause undesired operation of the device.

Avis: Cet appareil est conforme avec Industrie Canada RSS standard exempts de licence (s). Son fonctionnement est soumis aux deux conditions suivantes: (1) cet appareil ne peut pas provoquer d’interférences et (2) cet appareil doit accepter toute interférence, y compris les interférences qui peuvent causer un mauvais fonctionnement du dispositif.



Anaren Integrated Radio

For more information see: Industry Canada <http://www.ic.gc.ca/>

3.2.2. RF Exposure

All transmitters regulated by IC must comply with RF exposure limits as set forth in RSS-102, Issue 4, section 4, “Exposure Limits”. Furthermore RSS-102, Issue 4, Section 2 “Certification Requirements”, provides assistance in determining the specific requirements for compliance. If appropriate, compliance with exposure guidelines for mobile and unlicensed devices can be accomplished by the use of warning labels and by providing users with information concerning minimum separation distances from transmitting structures and proper installation of antennas.

The following statement must be included as a CAUTION statement in manuals and OEM products to alert users of IC RF Exposure compliance:

Notice: To satisfy IC RF Exposure requirements for mobile and base station transmission devices, a separation distance of 20 cm or more should be maintained between the antenna of this device and persons during operation. To ensure compliance, operation at closer than this distance is not recommended. The antenna(s) used for this transmitter must not be co-located or operating in conjunction with any other antenna or transmitter.

Avis: Pour répondre à la IC d'exposition pour les besoins de base et mobiles dispositifs de transmission de la station, sur une distance de séparation de 20 cm ou plus doit être maintenue entre l'antenne de cet appareil et les personnes en cours de fonctionnement. Pour assurer le respect, l'exploitation de plus près à cette distance n'est pas recommandée. L'antenne (s) utilisé pour cet émetteur ne doit pas être co-localisés ou fonctionner conjointement avec une autre antenne ou transmetteur.

If the A8520E24A91 module is used in a portable application (antenna is less than 20 cm from persons during operation), the integrator/OEM is responsible for performing Specific Absorption Rate (SAR) testing in accordance with IC rules and methods of RSS-102.

3.3. Potential Interference Sources

The two main mechanisms that allow a PurePath wireless system to co-exist amicably in close proximity to other 2.4 GHz radio systems are:

- The adaptive frequency hopping scheme described in section 2.4.3 that ensures that RF channels used by other radio systems are avoided
- Adaptive listen-before-talk mechanism that measures energy in RF channel before transmitting and avoids transmitting if the channel is already in use

These mechanisms together ensure that other radio systems are minimally impacted by a PurePath Wireless audio network in normal circumstances. However, since a low-latency audio network by its very nature transports a very time-critical data stream, both mechanisms have

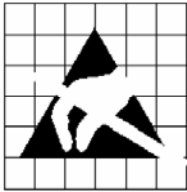


adaptive thresholds to ensure that the audio network is given its fair share of RF spectrum in very crowded RF environments.

4. Electrical Characteristics

4.1. Absolute Maximum Ratings

Under no circumstances must the absolute maximum ratings given in Table 1 be violated. Stress exceeding one or more of the limiting values may cause permanent damage to the device.



Caution!

ESD sensitive device. Precaution should be used when handling the device in order to prevent permanent damage.



Anaren Integrated Radio

Parameter	Min	Max	Unit	Condition/Note
Supply Voltage (Vdd)	-0.3	3.6	V	
Voltage on any digital pin	-0.3	Vdd+0.3, max 3.6	V	
RF input power		0	dBm	
Storage Temperature	-50	150	°C	
Solder reflow temperature		260	°C	According to IPC/JEDEC J-STD-020D
ESD		<500	V	According to JEDEC STD 22, method A114, Human body model
ESD		400	V	According to JEDEC STD 22, C101C, Charged Device Model (CDM)

Table 1 Absolute Maximum Ratings

4.2. Operating Conditions

Parameter	Min	Max	Unit	Condition/Note
Supply Voltage (Vdd)	2.2	3.6	V	
Supply Voltage IOVdd	1.8	3.6	V	
Temperature Range	-40	+85	°C	

4.3. Pin Out

The A85xxE24Axx radio's share a common pin-out and foot print, thus enabling the use of the same application PCB layout for US/Europe and low power (short range) versus higher power (long range). Below the footprint is shown.



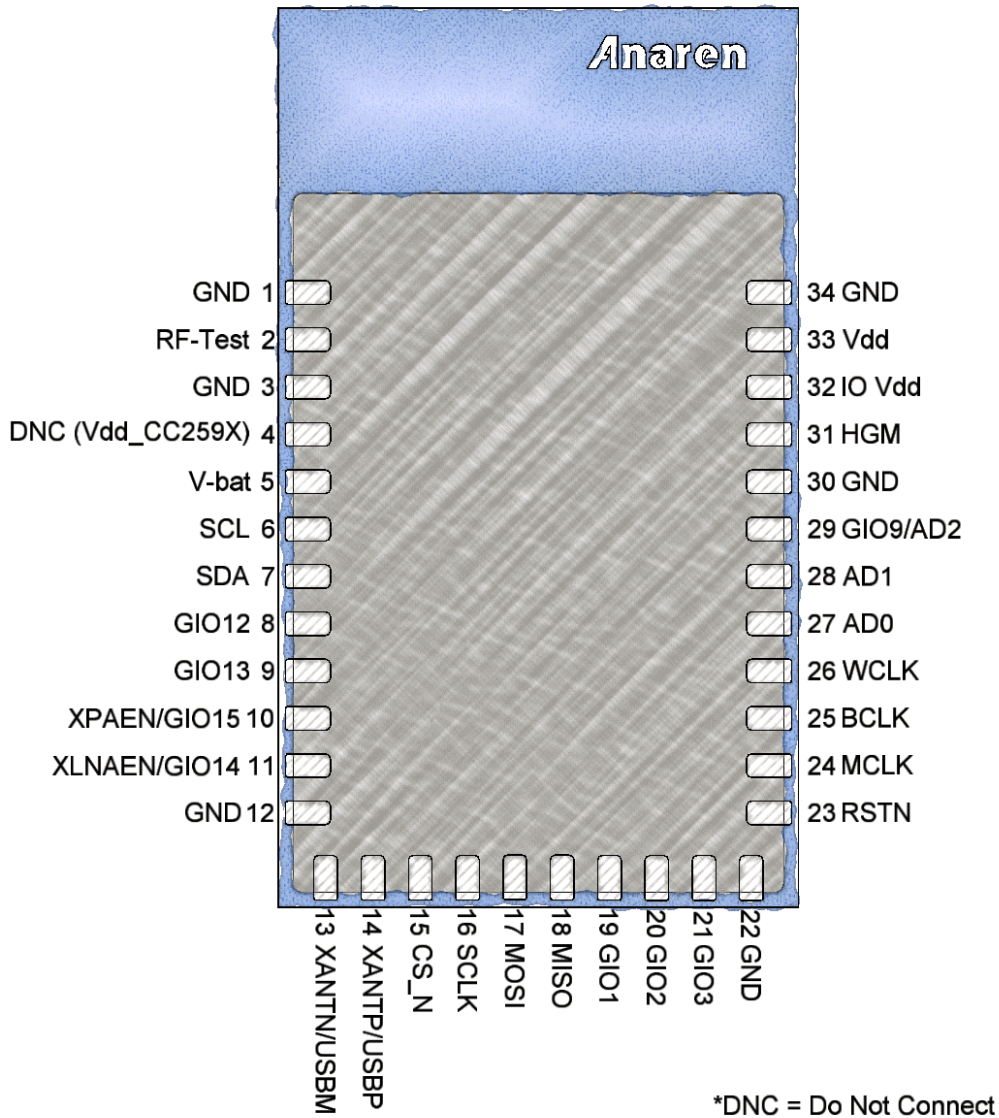


Figure 4 Module pin-out view



Anaren Integrated Radio

Pin Number	Pin Name	Pin Type	Description	CC259x Pin	CC85xx Pin
1	GND	Common			
2	DNC (RF-Test)		Connecting this pin to anything will significantly affect the performance of the module and may void the end users right, under FCC, to operate the module		
3	GND	Common			
4	AVdd_CC259x	Power/Decoupling	This pin should not be used unless deemed necessary in particular noisy power supply environments. See "power supply consideration" section for more information		
5	VBAT	Analog Input	Battery voltage supervisor (threshold level programmable by external resistor to positive battery terminal)		29
6	SCL, GIO10	Digital I/O	I2C master clock line. Must be connected to external pull-up, General-purpose digital I/O pin 10		32
7	SDA, GIO11	Digital I/O	Digital I/O1 I2C master data line. Must be connected to external pull-up, General-purpose		33
8	GIO12	Digital I/O	General-purpose digital I/O pin 12		34
9	GIO13	Digital I/O	General-purpose digital I/O pin 13		35
10	XPAEN/PAEN	Digital Out	The CC85xx asserts this pin high to turn on the CC259x power amplifier for transmit. The pin can be used to detect the radio state to synchronize other system events e.g. to smooth out power consumption or minimize noise injection. A high indicates that the PA is on. At no time will both XPAEN and XLNAEN be high at the same time.	5	36
11	XLNAEN/EN	Digital Out	The CC85xx asserts this pin high to turn on the CC259x low noise amplifier. The pin can be used to detect the radio state to synchronize other system events e.g. to turn of noise/switching sources for better sensitivity. At no time will both XPAEN and XLNAEN be high at the same time.	6	38
12	GND	Common			
13	XANTN	Digital I/O	Do Not Connect (future antenna diversity control or USB interface)		1
14	XANTP	Digital I/O	Do Not Connect (future antenna diversity control or USB interface)		2
15	CS_N	Digital Input (Pull-up)	Serial SPI configuration interface, active low chip select		3
16	SCLK	Digital I/O	Serial SPI configuration interface, clock input/output		4
17	MOSI	Digital I/O	Serial SPI configuration interface, master data input, slave data output		5
18	MISO, GIO0	Digital I/O	Serial SPI configuration interface, master data output, slave data input GIO0 output when CS_N is deasserted. General-purpose digital I/O pin 0		6
19	GIO1	Digital I/O	General-purpose digital I/O pin 1, Configurable with PurePath™ Wireless Configurator		7
20	GIO2	Digital I/O	General-purpose digital I/O pin 2		8
21	GIO3	Digital I/O	General-purpose digital I/O pin 3, Configurable with PurePath™ Wireless Configurator		9
22	GND	Common			
23	RSTN	Digital Input (Pull-up)	Active-low device reset		11
24	MCLK	Digital I/O	Digital I/O1 Master clock output for external audio devices (GIO4).		13
25	BCLK	Digital I/O	Digital I/O1 I2S/DSP audio interface bit clock (in/out) (GIO5).		14
26	WCLK	Digital I/O	Digital I/O1 I2S/DSP audio interface word clock (in/out) (GIO6).		15
27	AD0	Digital I/O	Digital I/O1 I2S/DSP audio interface data line 0 (in/out) (GIO7).		16
28	AD1	Digital I/O	Digital I/O1 I2S/DSP audio interface data line 1 (in/out) (GIO8).		17
29	AD2, GIO9	Digital I/O	Digital I/O2 I2S/DSP audio interface data line 2 (in/out), Configurable with PurePath™ Wireless Configurator		19
30	GND	Common			
31	HGM	Digital Input	Digital control pin. HGM=1 ? CC259x LNA is in High Gain Mode (~10dB gain), HGM=0 ? CC259x LNA is in Low Gain Mode (~0dB gain). Can be used to avoid overdriving the receiver in case the transmitter is in very close proximity to the receiver, otherwise do not connect.	7	
32	IOVDD	Power (I/O)	Digital power supply for the digital core, GIO's SPI, I2C and I2S (1.8V to 3.6V)		10
33	AVDD	Power	Analog power supply connection for the Radio and PA/LNA (2.0V to 3.6V)		20
34	GND	Common			

Table 2 pin-out table, with references to chip pins



4.4. Recommended Layout

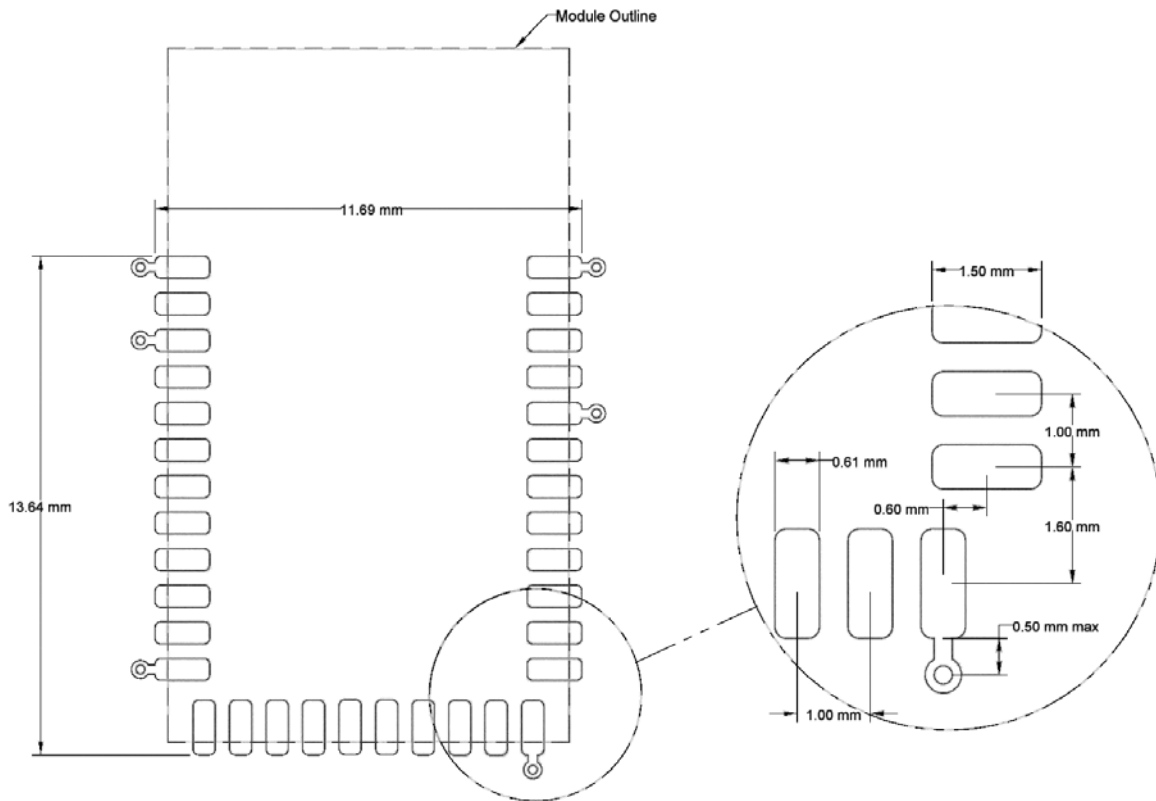
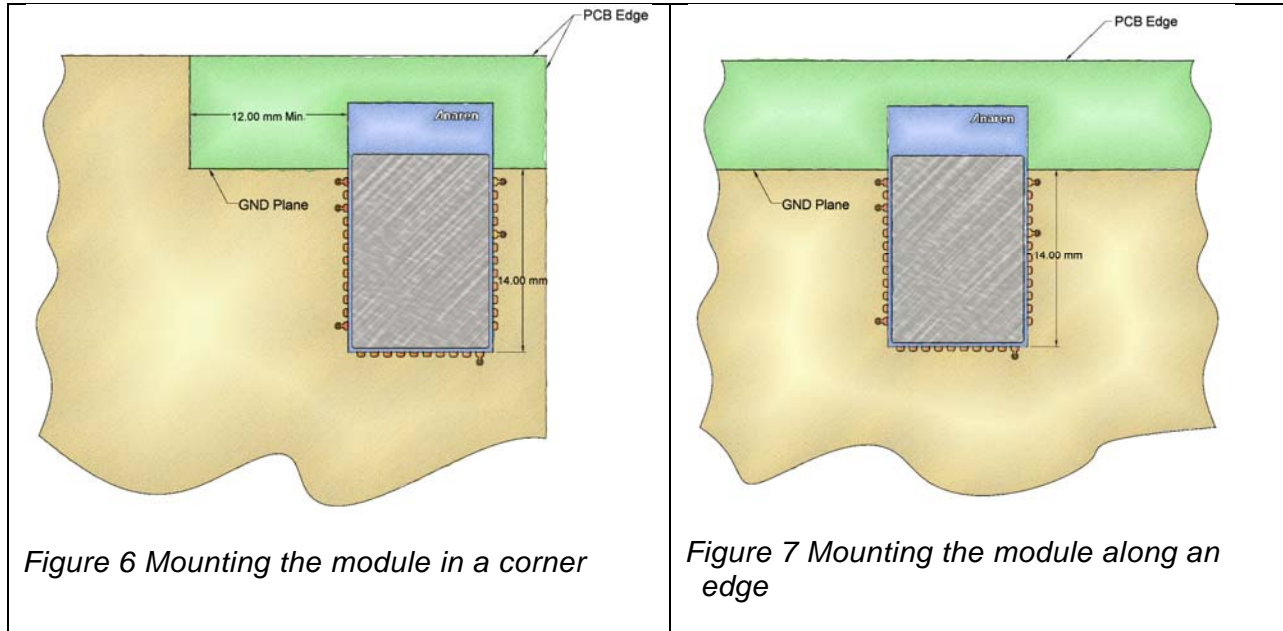


Figure 5 Recommended PCB layout.





4.5. Power Supply Considerations

Noise on the power supply line reduces the sensitivity of a receiver and can modulate onto a transmitters signal, both of which causes a degradation of link quality and hence a reduction in range.

The A85xxE24Axx radio modules have integral noise reduction in the supply line from pins 33 (Vdd) and 32 (IOVdd), consisting of ferrite beads and decoupling capacitances. This arrangement will take care of most supply voltage noise. For optimal performance in particular noisy environments (switching regulators, motor controls, etc.) it may be necessary to add additional noise reduction means, which can consist of a low noise LDO or additional LC filtering.

Pin 4 (AVdd_CC259x) is connected to the modules internal supply line after the ferrite bead and decoupling capacitors and can be used to probe the noise at module level. The noise level measured on pin 4 should not exceed 150mVpp when in transmit or receive mode, it may however exceed this value when not in either transmit or receive mode or in the transition itself (i.e. it may exceed this if synchronized to the XPAEN and XLNAEN signals).

If the level measured is exceeding the above limit means should be taken to ensure maximum range:

- Add decoupling capacitance to pin 4 (AVdd_CC259x), 1uF to 2.2uF ceramic capacitor is suggested (do not use Tantalum).



- Add decoupling capacitance to pin 33 (AVdd), 1uF to 2.2uF ceramic capacitor is suggested (do not use Tantalum).
- Add a low noise LDO in the supply line to pin 33 (AVdd) (the TPS731xx low Dropout Regulator from TI is recommended).

Note that if operated from a battery source there is no need for additional noise reduction. Also note that if the noise source can be synchronized to be off whenever the module is transmitting or receiving (using XPAEN and XLNAEN) then that will also suffice.

5. Configuration and Programming

The integrator of this module into an application must program the module to match both the Codec chip used and the human interface methods employed. To do this the integrator must use the PurePath™ software from Texas Instruments to configure the module

5.1. Calibrating Transmit Power

This power calibration number is an approximate power output value in dBm for the CC85xx chip – however the modules CC2591 adds an additional 16dB amplification.

The maximum allowed setting to comply with FCC/IC is “0” (which produces 16dBm output power). Any setting above this voids the end users right to use the equipment.

It can be useful to set a lower power for systems that do not require the full range and thus save on power consumption. The typical power consumption at 3.3v supply for a A8520E24A91 module is shown below depending on the output power setting.

Output Power Setting	Actual Output Power (Approximate)	Current Consumption [mA] @ 3.3V AVdd,IOVdd, Ambient	
		Master	Slave
#	[dBm]		
0	16	48	18
-1	15	43	18
-2	14	39	17
-3	13	38	17
-4	12	34	16
-5	11	33	16
-6	10	32	15
-7	9	32	15
-8	8	30	15
-9	7	28	15
-10	6	27	15

In the PurePath™ configurator when creating the application image, in the “Radio” page for both master and slave the target Tx power must be set to 0 dBm, or lower, (note that this produces 16dBm peak from the module due to CC2591 PA/LNA):



The screenshot shows the 'PurePath Wireless Configurator - Texas Instruments' window. The main area is titled 'Analog Input Master (AIC3101) - Radio'. On the left, a sidebar lists various configuration options, with 'Radio*' highlighted. Two callouts point to 'Master Radio Page' and 'Slave Radio Page' in the sidebar. The main area is divided into three sections: 'Network Status LED', 'Network Pairing', and 'Radio Settings'. The 'Network Status LED' section has a 'Status LED' dropdown set to 'Enabled' and instructions for LED blinking patterns. The 'Network Pairing' section has a 'Pairing trigger' dropdown set to 'Button', a 'Pairing timeout' of '10.00 s', and a 'Pairing filter' dropdown set to 'None'. Below this is a table with columns for 'Manufacturer ID', 'Manufacturer name', 'Product ID', and 'Product name'. The 'Radio Settings' section at the bottom has a 'Target TX power (excl. CC259x)' dropdown set to '0 dBm'. A callout points to this dropdown with the text 'Target power, set to 0 or lower'.

Alternatively the power calibration can be done immediately after programming of each module using the SPI host controller interface, using the `CAL_SET_DATA` function. This option is useful if the same image will be used in multiple equipment, of which some have the power turned down further than 0 to save current consumption, however it requires a host processor.

5.2. Programming

The desired application image can be programmed into the module either using the PurePath™ software and the included CC-Debugger. Or the PurePath™ software can be used to create the desired image, which is saved and the integrator can use an in-house developed production programmer to upload the image.

If developing an in-house programmer there are a few things to consider to successfully program the CC8520 chip. Programming procedure:

```
// Enter the bootloader
BOOT_RESET();
BL_UNLOCK_SPI();
Check SWR Proceed only if SWR matches required value (Reset device and Restart programming again)
// Erase the flash
BL_FLASH_MASS_ERASE();
```

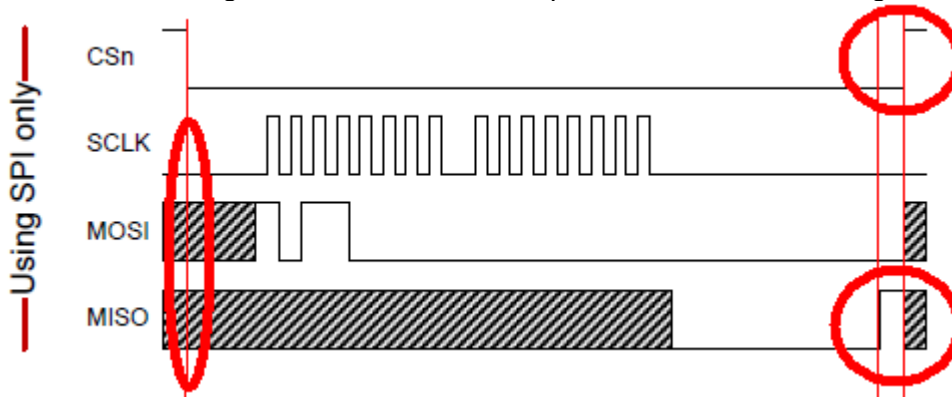


```

Check SWR Proceed only if SWR matches required value (Reset device and Restart
programming again)
// For each flash page
for (int n = 0; n < 31; n++) {
// Write page data to the start of the available RAM area
SET_ADDR(0x6000, sw);
WRITE(0x400, data to be programmed into flash page n , sw);
/* While using the image generated by TI- Purepath Wireless Configurator, note that
the entire image file generated by PWC-TI is Intel hex format. For programming 8520
module use only the data and discard additional data/information */
// Program the page
BL_FLASH_PROG_PAGE(RAM_ADDR = 0x6000, FLASH_ADDR = 0x8000+(n*0x400))
Check SWR Proceed only if SWR matches required value wait till the block is completely
transferred
}
// Verify the flash contents
BL_FLASH_VERIFY(BYTE_COUNT = value read from the HEX file );
/* The flash verify byte count data is 4 byte value stored from location &h 8010
within the image file */
Check SWR Proceed only if SWR matches required value (Reset device and Restart
programming again)
SYS_RESET()
// Done, perform SYS_RESET() to start the application

```

If the status word read fails immediately after execution of `BOOT_RESET` or `BL_UNLOCK_SPI` then it is most likely due to the special SPI requirement during these instructions as MISO must go low and then high after the SPI clock sequence as shown in the figure below.



If the SPI bus controller is unable to perform this wait, then use the SPI pins as GPIO's and manually program the bit sequences as described below for the `BOOT_RESET()`.

Procedure for programming Boot_Reset()

1. Assert CSn Low and then clock the SCL with each negative edge of clock asset the logic level to high or low on MOSI pin.
2. After sending &H B0 00 on MOSI pin. Wait till MISO pin goes high. Note: Status check/update is done between MISO and CSn pin going high. If this time is not sufficient. This will lead to error in SWR read value.
3. One `BOOT_RESET` is successful then switch to normal SPI operation mode.



HISTORY

Date	Author	Change Note No./Notes
Aug 8 th 2010	Kirkeby	Initial Draft
Dec 1 st 2010	Kirkeby	Initial Release, formatting and content chg.
Dec 13 th 2010	Kirkeby	Programming and Tx power setting.



Thank you for learning more about the
Anaren Integrated Radio (AIR) module line.

If you have additional questions,
need samples, or would like a quote –
please do not hesitate to email the AIR team
at AIR@anaren.com or contact any of these
authorized distributors of the AIR product line.



Worldwide



North America



Worldwide

Anaren Microwave, Inc.
6635 Kirkville Road
East Syracuse, NY 13057
Tel: +1 315 432 8909
+1 800 411 6596
Fax: +1 315 432 8970

Anaren Microwave (Europe), Inc.
12 Somerset House, Suite 16 & 17
Hussar Court, Waterlooville
Hampshire, England P07-7SG
Tel: +44 2392 232392
Fax: +44 2392 251369

Anaren Communication Suzhou Co. Ltd.
No. 5 Chun Hui Road
Wei Ting, Suzhou Industrial Park
Suzhou 215122, PR China
Tel: +86 512 6287 6400
Fax: +86 512 6274 9283



Anaren Integrated Radio