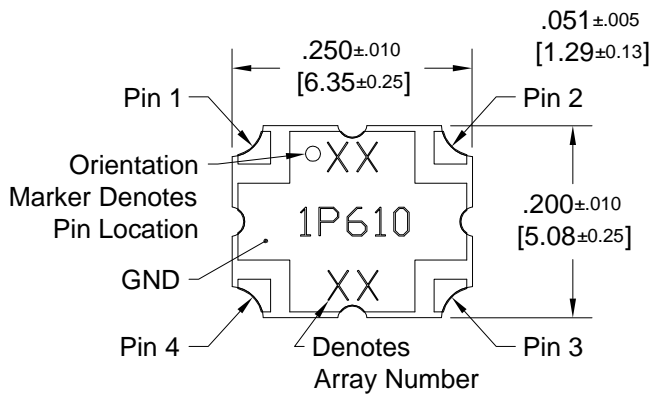
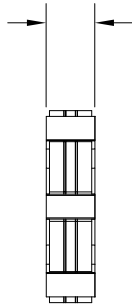


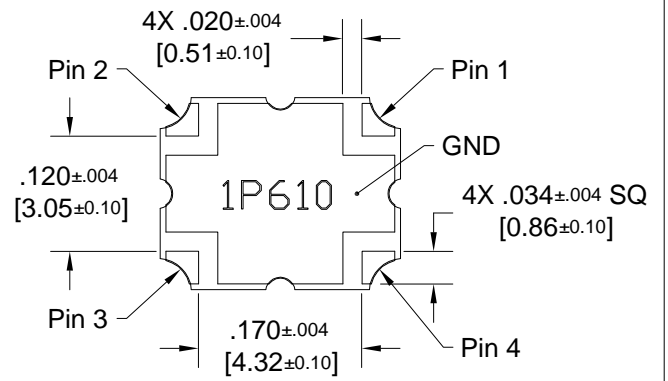
Top View (Near-side)



Side View



Bottom View (Far-side)



Dimensions are in Inches [Millimeters]
1P610 Rev A Mechanical Outline

Tolerances are Non-Cumulative