

Xinger®

Hybrid Couplers

3 dB, 90°



Description

The 1X503 is a low profile 3dB hybrid coupler in an easy to use miniature surface mount package for DCS and PCS applications. The 1X503 is ideal for balanced amplifiers and signal distribution and is an ideal solution for the ever increasing demands of the wireless industry for smaller printed circuit boards. Parts have been run through rigorous qualification and units are 100% tested. They are manufactured using materials with x and y thermal expansion coefficients compatible with common substrates.

Features

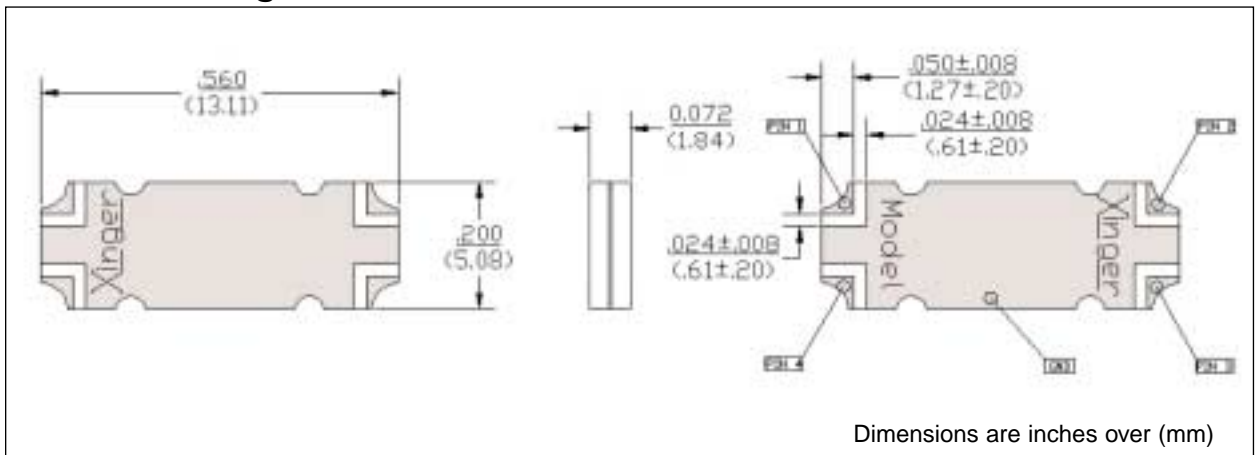
- 1.7 - 2.0 GHz
- Very Low Loss
- High Isolation
- 90° Quadrature
- Surface Mountable
- Tape And Reel
- Miniature Package
- 100% Tested

Electrical Specifications

Frequency GHz	Isolation dB Min	Insert. Loss dB Max	VSWR Max : 1
1.7 - 2.0	23	0.20	1.17
Amp. Bal. dB Max	Phase Bal. Degrees Max	⊖ _{JC} (°C/diss. Watt)	Avg. Power CW [Watts]
±0.20	2	20.6	60

Specifications subject to change without notice.

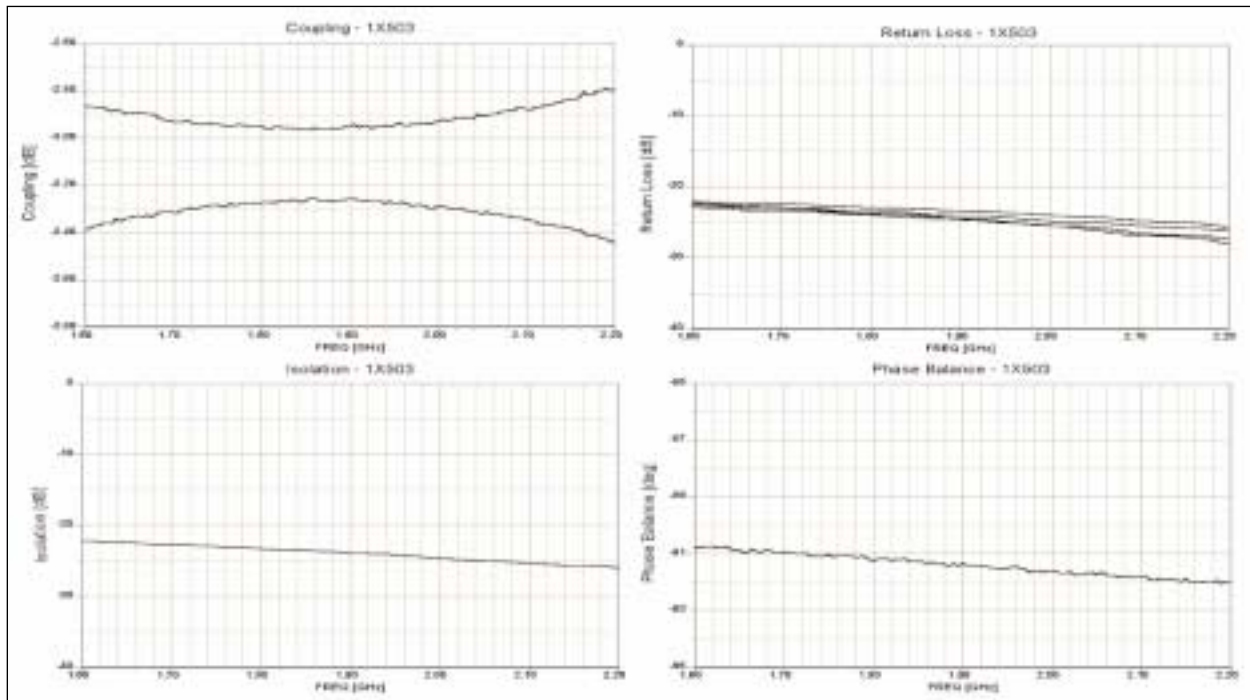
Outline Drawing



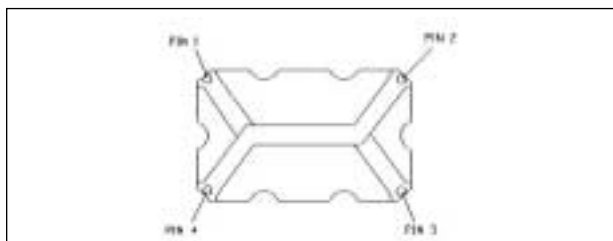
Available on Tape and Reel for Pick and Place Manufacturing.

Sales Desk USA: Voice: (800) 544-2414 Fax: (315) 432-9121
 Sales Desk Europe: Voice: (+44) 23 92 232392 Fax: (+44) 23 92 251369

Typical Performance

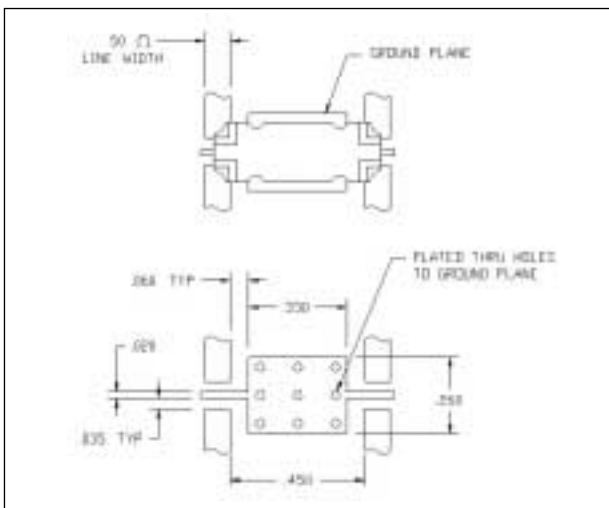


Pin Configuration



	Pin 1	Pin 2	Pin 3	Pin 4
#1	Input	Isolated	-3dB, -90°	-3dB, 0°
#2	Isolated	Input	-3dB, 0°	-3dB, -90°
#3	-3dB, -90°	-3dB, 0°	Input	Isolated
#4	-3dB, 0°	-3dB, -90°	Isolated	Input

Mounting Footprint



Available on Tape and Reel for Pick and Place Manufacturing.

