



Directional Couplers

6 dB

Description

The 1X506 is a low profile 6dB directional coupler in an easy to use miniature surface mount package covering the DCS and PCS bands. The 1X506 is ideal for 4 way inline split/combine amplifiers and for power injection and can be used in most high power designs. Parts have been run through rigorous qualification testing and units are 100% tested. They are manufactured using materials with x and y thermal expansion coefficients compatible with common substrates.



Features

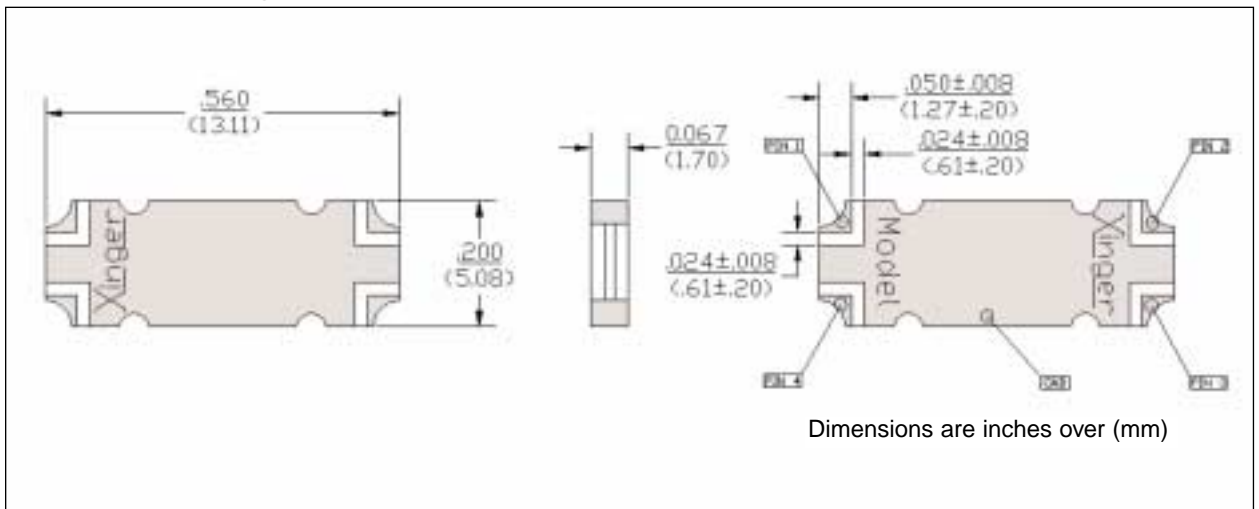
- 1.7 - 2.0 GHz
- Very Low Loss
- High Directivity
- Surface Mountable
- Tape And Reel
- Miniature Package
- 100% Tested

Electrical Specifications

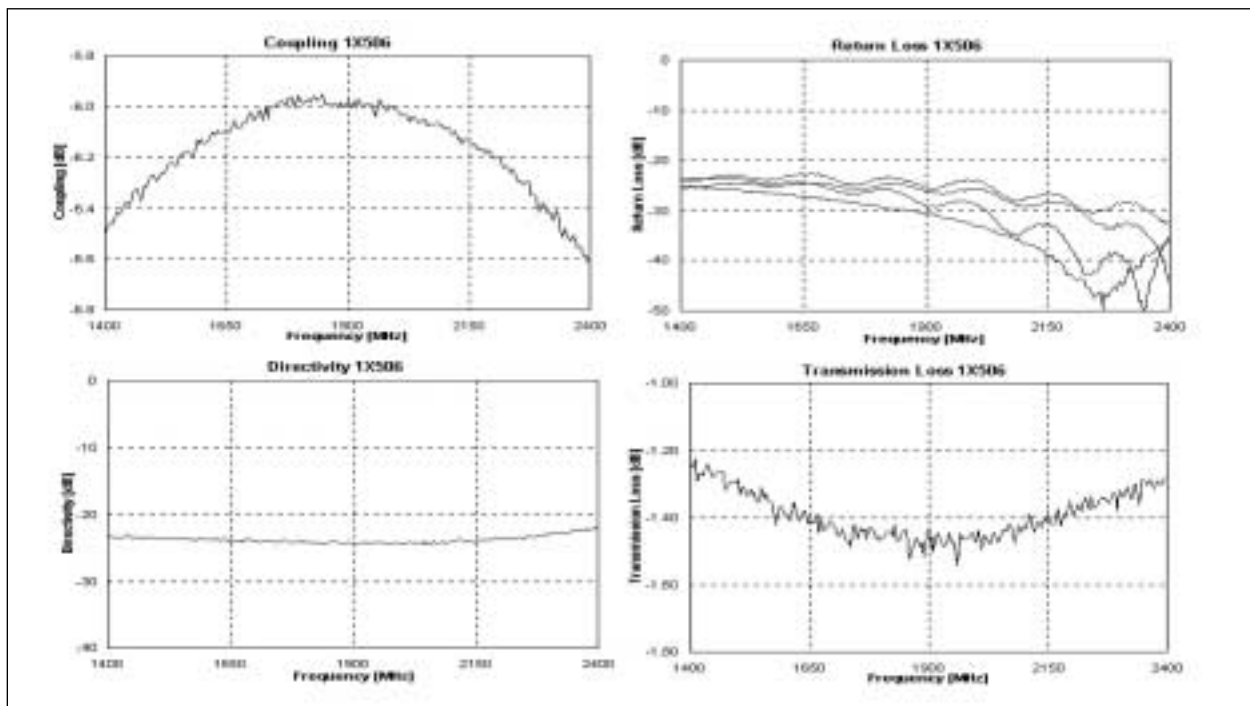
Frequency GHz	Mean Coupling dB	Insert. Loss dB Max	VSWR Max : 1
1.7 - 2.0	6.0 ± 0.5	0.20	1.19
Freq. Sens. dB Max	Directivity dB Min	Θ _{JC} (°C/diss. Watt)	Power Watts Ave/CW
±0.30	20	21.3	60

Specifications subject to change without notice.

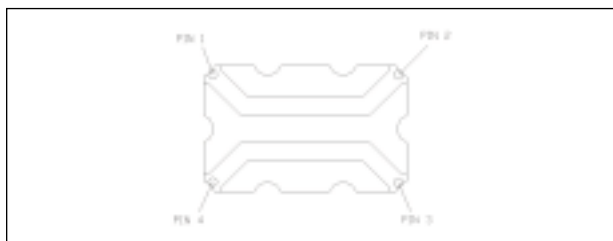
Outline Drawing



Typical Performance



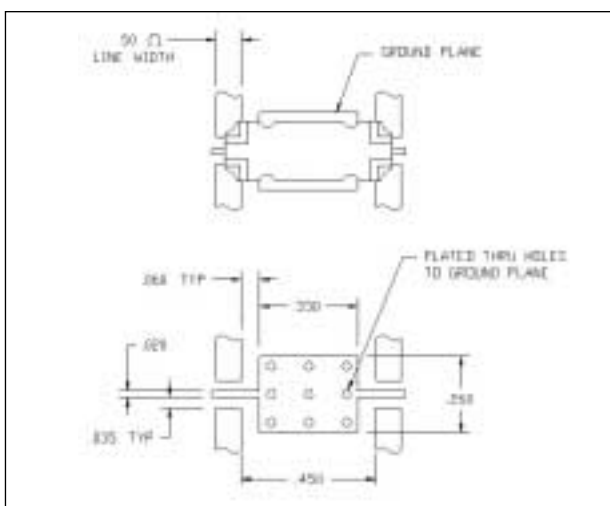
Pin Configuration



	Pin 1	Pin 2	Pin 3	Pin 4
#1	Input	Output	Isolated	Coupled
#2	Output	Input	Coupled	Isolated
#3	Isolated	Coupled	Input	Output
#4	Coupled	Isolated	Output	Input

visit www.anaren.com

Mounting Footprint



Available on Tape and Reel for Pick and Place Manufacturing.

