

Hybrid Couplers 3 dB, 180°

Applications

- Balanced Mixers
- Antenna Feed Networks
- Image Reject Mixers
- Divider/Combiners
- Single Sideband Modulators



Features

- Military Grade
- 2-Way Power Split
- 180 Degree
- Stainless Steel Connectors
- Rugged Aluminum Housing
- Low VSWR

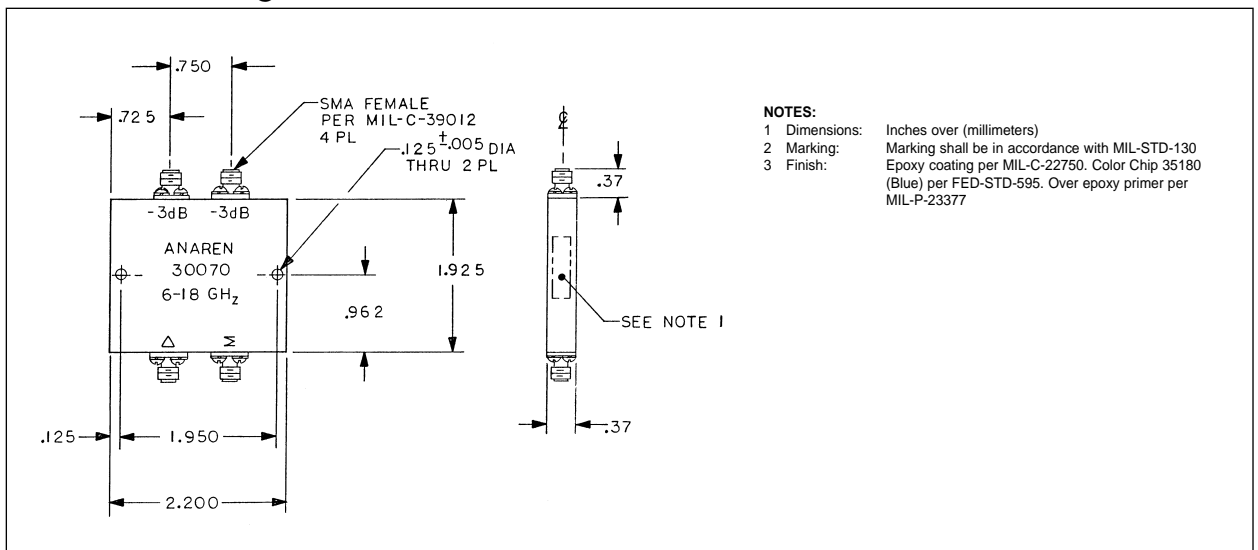
Electrical Specifications

Frequency GHz	Isolation dB Min/Typ	Insert. Loss dB Max	VSWR Max : 1
6.0 - 18.0	15/20	2.2	1.90
Amp. Bal. dB Max	Phase Bal. Degrees Max	Power Ave. CW Watts	
±0.50	±12	60	

Notes: Impedance: 50 ohms nominal. Meets MIL-E-5400 Class 3 requirements. Additional screening available for military and space applications.

Specifications subject to change without notice.

Outline Drawing



Sales Desk USA: Voice: (800) 544-2414 Fax: (315) 432-9121
 Sales Desk Europe: Voice: (+44) 23 92 232392 Fax: (+44) 23 92 251369