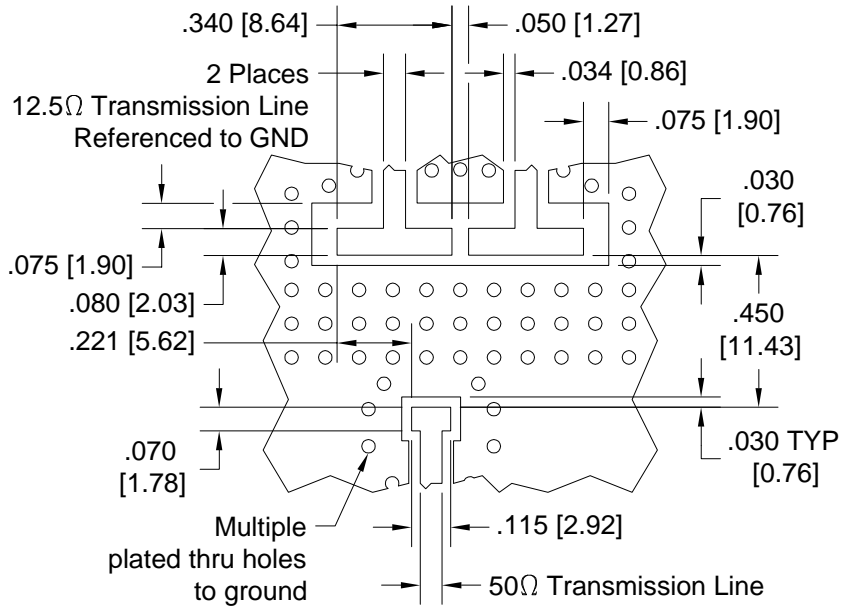
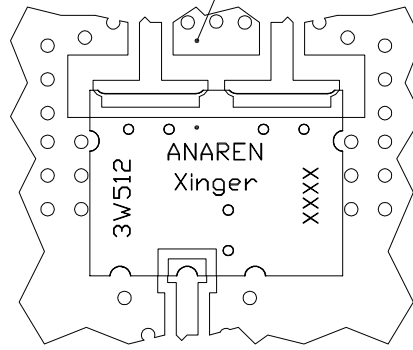


To ensure proper electrical and thermal performance  
there must be a ground plane with 100%  
solder connection underneath the part



Dimensions are in Inches [Millimeters]  
3W512 Rev A Mounting Footprint