

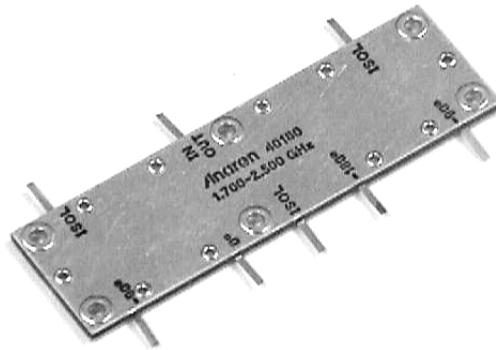
# Model 40180



## Combiner/Dividers 4-Way

### Applications

- Microstrip Circuits
- LO Networks
- Divider/Combiners
- Switch Networks
- Balanced Detectors
- Antenna Feeds



### Features

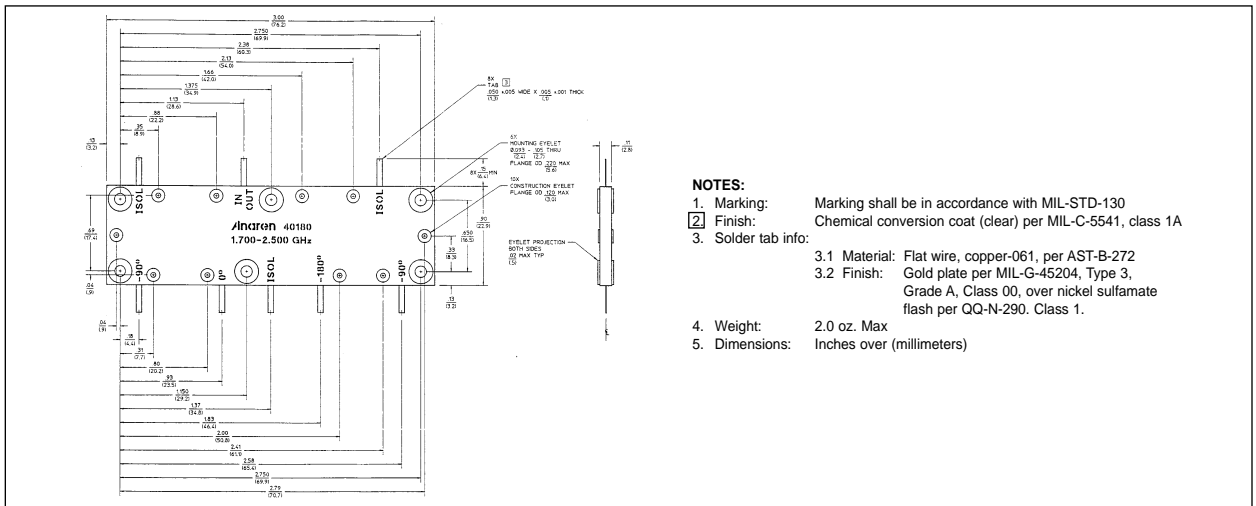
- Welded Tab Mount
- 4-Way Power Split
- Reliable Performance
- Handles 80 Watts

### Electrical Specifications

Frequency GHz	Isolation dB Min/Typ	Insert. Loss dB Max	VSWR Max : 1
1.7-2.5	20	0.60	1.35
Amp. Bal. dB Max	Phase Bal. Degrees Max	Power Ave. CW Watts	
±1.00	±3.0	80	

**Notes:** Impedance: 50 ohms nominal. Meets MIL-E-5400 Class 3 requirements. Additional screening available for military and space applications. Electrical specifications apply only properly designed test fixtures. Testing is done at ambient temperature only. Sample testing is performed to MIL-Std-105, Level 2, AQL 1.0. Test includes coupling, amplitude balance, insertion loss and isolation. If your application requires additional testing, consult Anaren Power rating applies when solder tab/coupler interface has been conformally coated.  
**Electrical and Mechanical Specifications subject to change without notice.**

### Outline Drawing



- NOTES:**
1. Marking: Marking shall be in accordance with MIL-STD-130
  2. Finish: Chemical conversion coat (clear) per MIL-C-5541, class 1A
  3. Solder tab info:
    - 3.1 Material: Flat wire, copper-061, per AST-B-272
    - 3.2 Finish: Gold plate per MIL-G-45204, Type 3, Grade A, Class 00, over nickel sulfamate flash per QQ-N-290, Class 1.
  4. Weight: 2.0 oz. Max
  5. Dimensions: Inches over (millimeters)