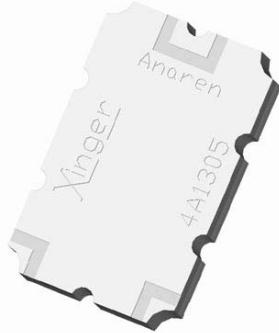




Power Dividers In-Phase, 2-Way



Description

The 4A1305 is a low profile 2 way Wilkinson power divider in an easy to use surface mount package designed for DCS, PCS, ISM and wireless LAN applications. The 4A1305 is ideal for low power, in phase divider/combiner applications. Parts have been subjected to rigorous qualification testing and units are 100% tested. They are manufactured using materials with x and y thermal expansion coefficients compatible with common substrates such as FR4, G-10 and polyamide.

Features:

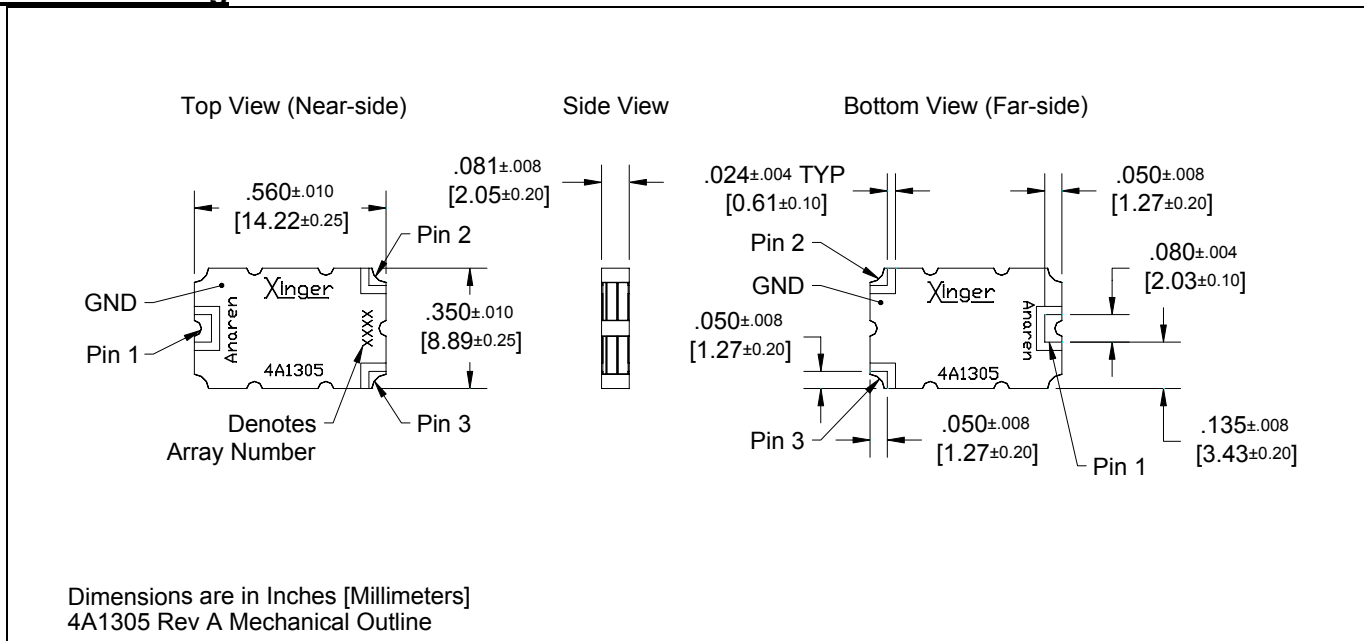
- 1.4 - 2.6 GHz
- Low loss
- High Isolation
- In Phase
- Surface Mountable
- Tape And Reel
- Convenient Package
- 100% Tested

ELECTRICAL SPECIFICATIONS**

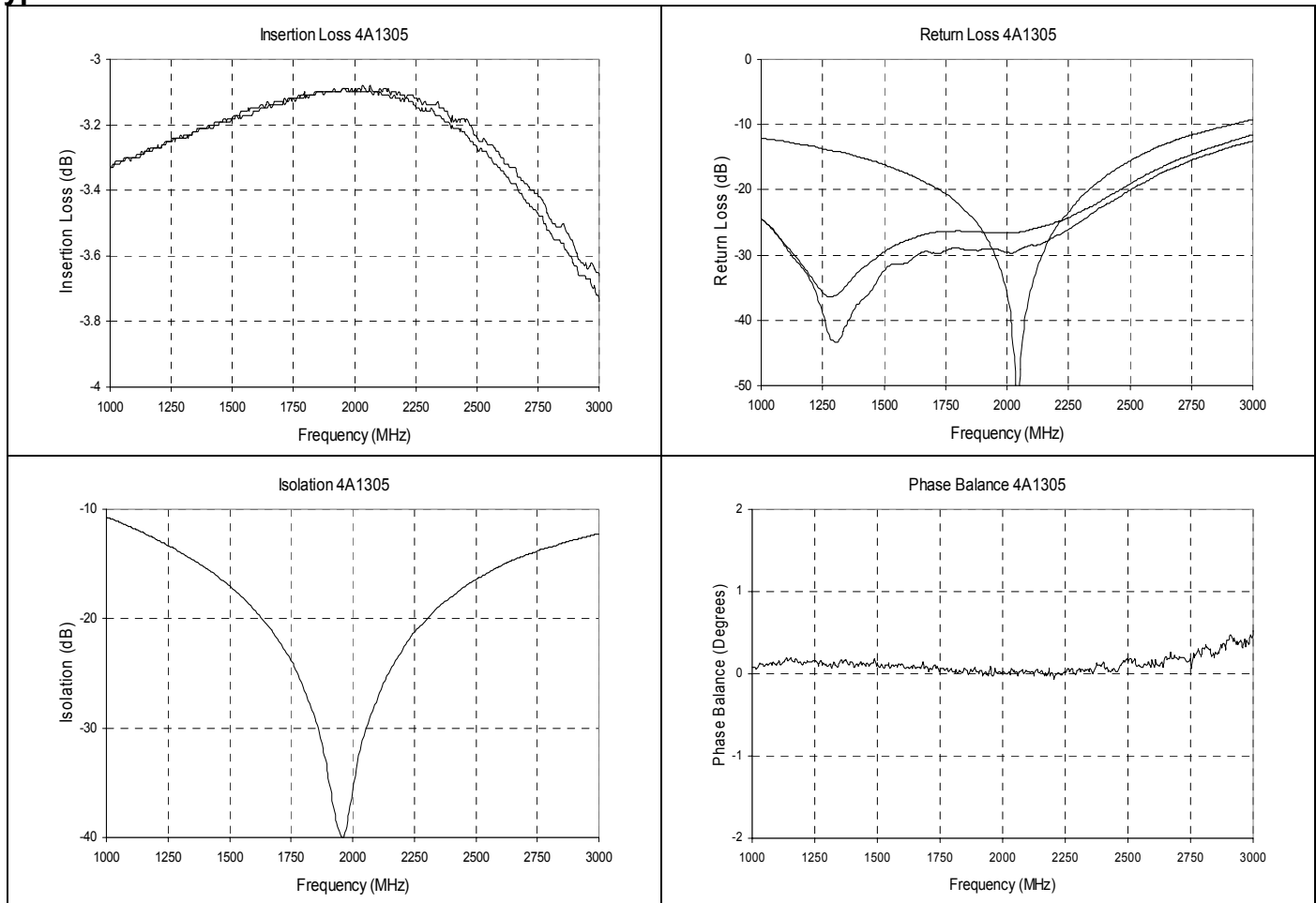
Frequency	Isolation	Insertion Loss	Amplitude Balance
GHz	dB Min	dB Max	dB Max
1.7 – 2.0	16	0.35	±0.20
1.4 – 2.6	12	0.40	±0.25
VSWR Input	VSWR Output	Phase Balance	Operating Temp.
Max:1	Max:1	Degrees	°C
1.30	1.30	± 2	-55 to +85
1.50	1.35	± 2.5	-55 to +85

**Specification based on performance of unit properly installed on microstrip printed circuit boards with 50 Ω nominal impedance. Maximum input power: 5 Watts average CW when terminated into a 1.2:1 maximum VSWR. Specifications subject to change without notice.

Outline Drawing

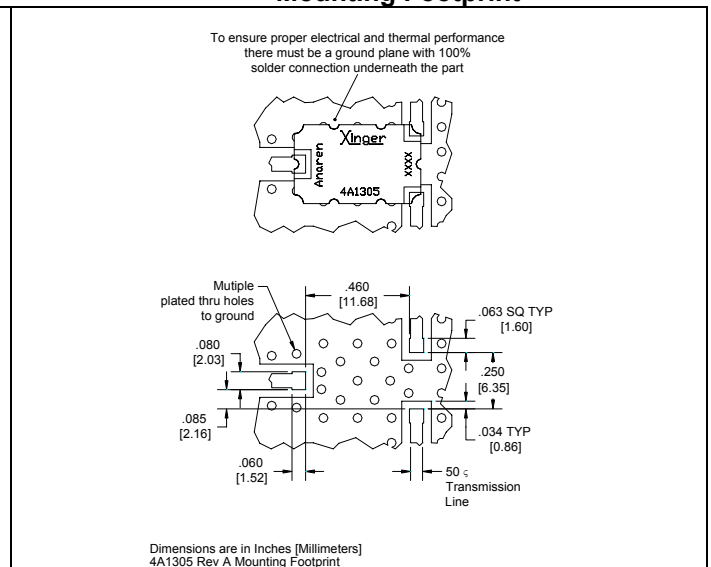
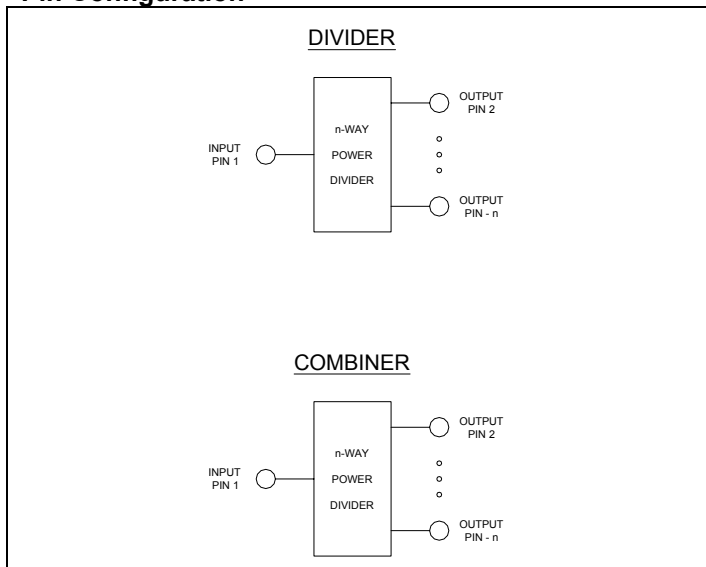


Typical Performance: 1 GHz. to 3 GHz.



Pin Configuration

Mounting Footprint



USA/Canada: (315) 432-8909
Toll Free: (800) 544-2414
Europe: +44 2392-232392

Available on Tape and Reel For Pick and Place Manufacturing.

