



Power Dividers In-Phase, 3-Way

Description



The 4A3306 is a low profile 3 way Wilkinson power divider in an easy to use surface mount package designed for W-LAN and MMDS applications. The 4A3306 is ideal for low power, In-Phase divider/combiner applications. Parts have been run through rigorous qualification testing and units are 100% tested. They are manufactured using materials with x and y thermal expansion coefficients compatible with common substrates.

Features

- 2.4 - 2.7 GHz
- 3-Way Split
- Low Loss
- High Isolation
- In-Phase
- Surface Mountable
- Tape And Reel
- Convenient Package
- 100% Tested

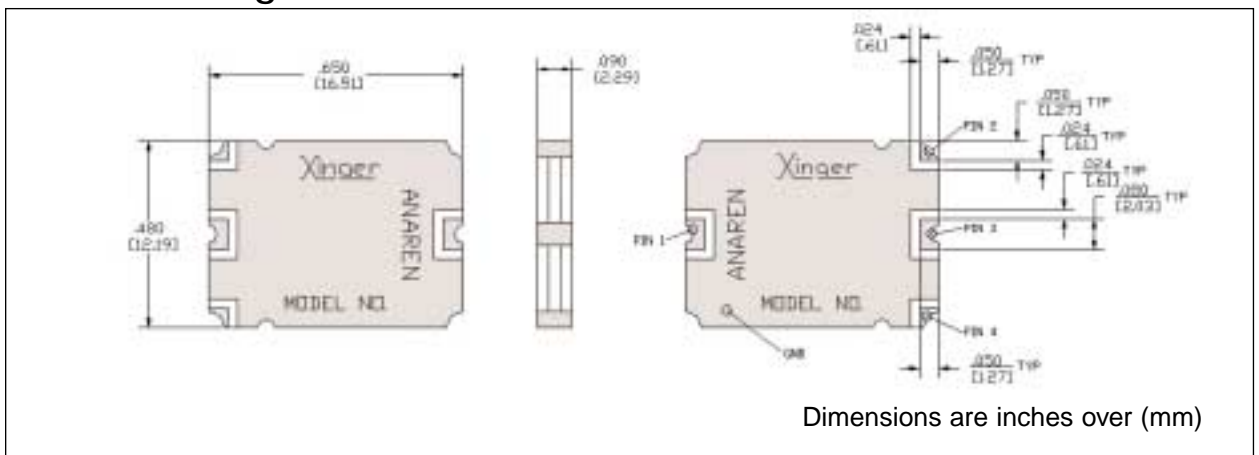
Electrical Specifications

Frequency GHz	Isolation dB Min/Typ	Insert. Loss dB Max
2.4 - 2.7	16	0.30
VSWR In/Out Max : 1	Amplitude Balance dB Max	Phase Balance Degrees Max
1.50/1.60	±0.30	3

Note: Specifications based on performance of units installed in a microstrip RF test fixture. 50 Ohms nominal impedance. -55°C to +85°C operating temperature. Maximum input power: 5 Watts average CW when terminated into a 1.2:1 maximum VSWR.

Specifications subject to change without notice.

Outline Drawing



Available on Tape and Reel for Pick and Place Manufacturing.

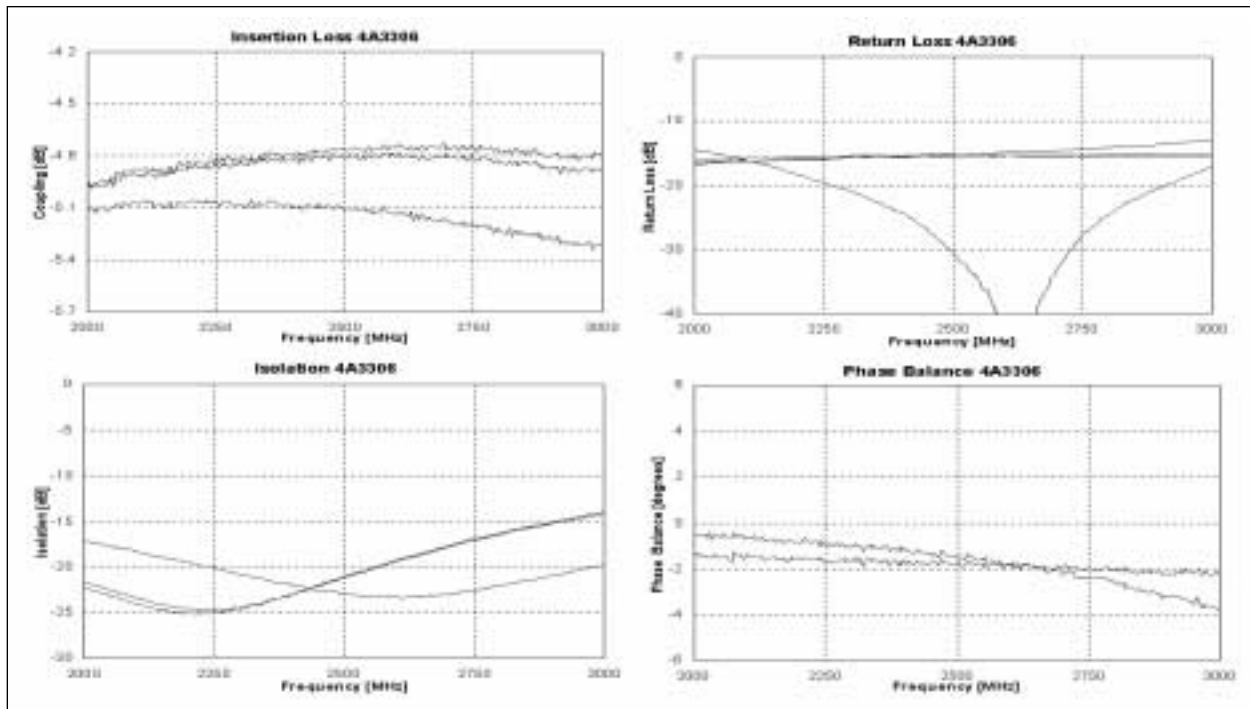
Sales Desk USA: Voice: (800) 544-2414 Fax: (315) 432-9121
 Sales Desk Europe: Voice: (+44) 23 92 232392 Fax: (+44) 23 92 251369

Model 4A3306

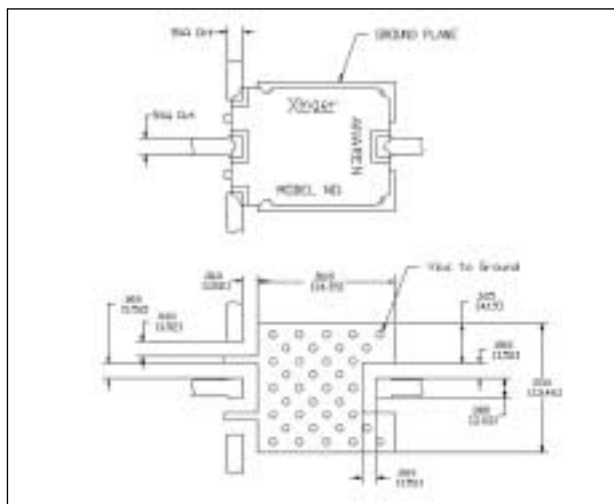
Anaren

Xinger[®]

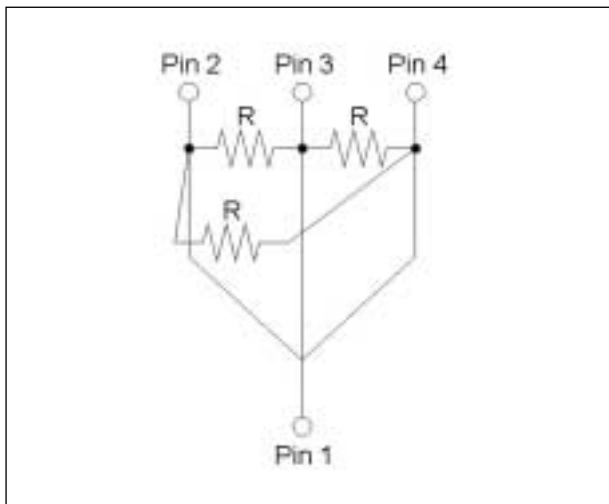
Typical Performance



Mounting Footprint



Electrical Schematic



Available on Tape and Reel for Pick and Place Manufacturing.

