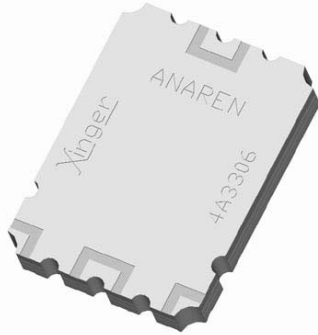




Power Dividers In-Phase, 3-Way

Description

The 4A3306 is a low profile 3 way Wilkinson power divider in an easy to use surface mount package designed for W-LAN and MMDS applications. The 4A3306 is ideal for low power, in phase divider/combiner applications. Parts have been subjected to rigorous qualification testing and units are 100% tested. They are manufactured using materials with x and y thermal expansion coefficients compatible with common substrates such as FR4, G-10 and polyamide.



Features:

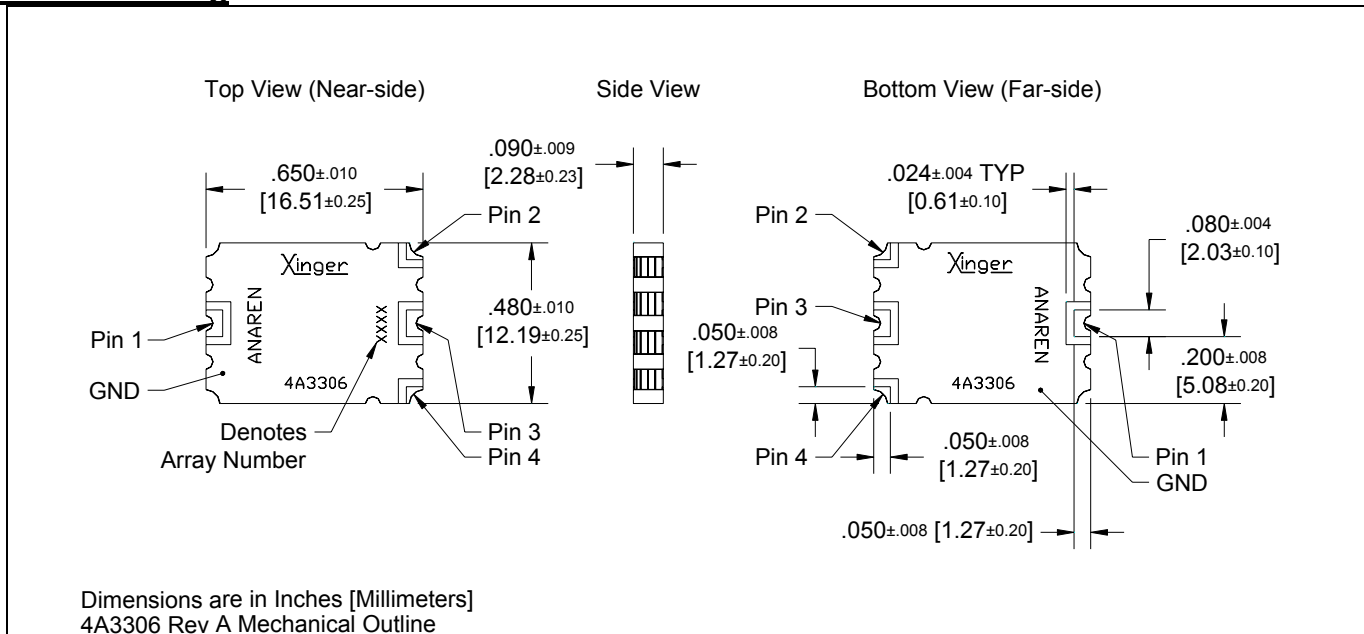
- 2.4 – 2.7 GHz
- 3-Way Split
- Low loss
- High Isolation
- In Phase
- Surface Mountable
- Tape And Reel
- Convenient Package
- 100% Tested

ELECTRICAL SPECIFICATIONS**

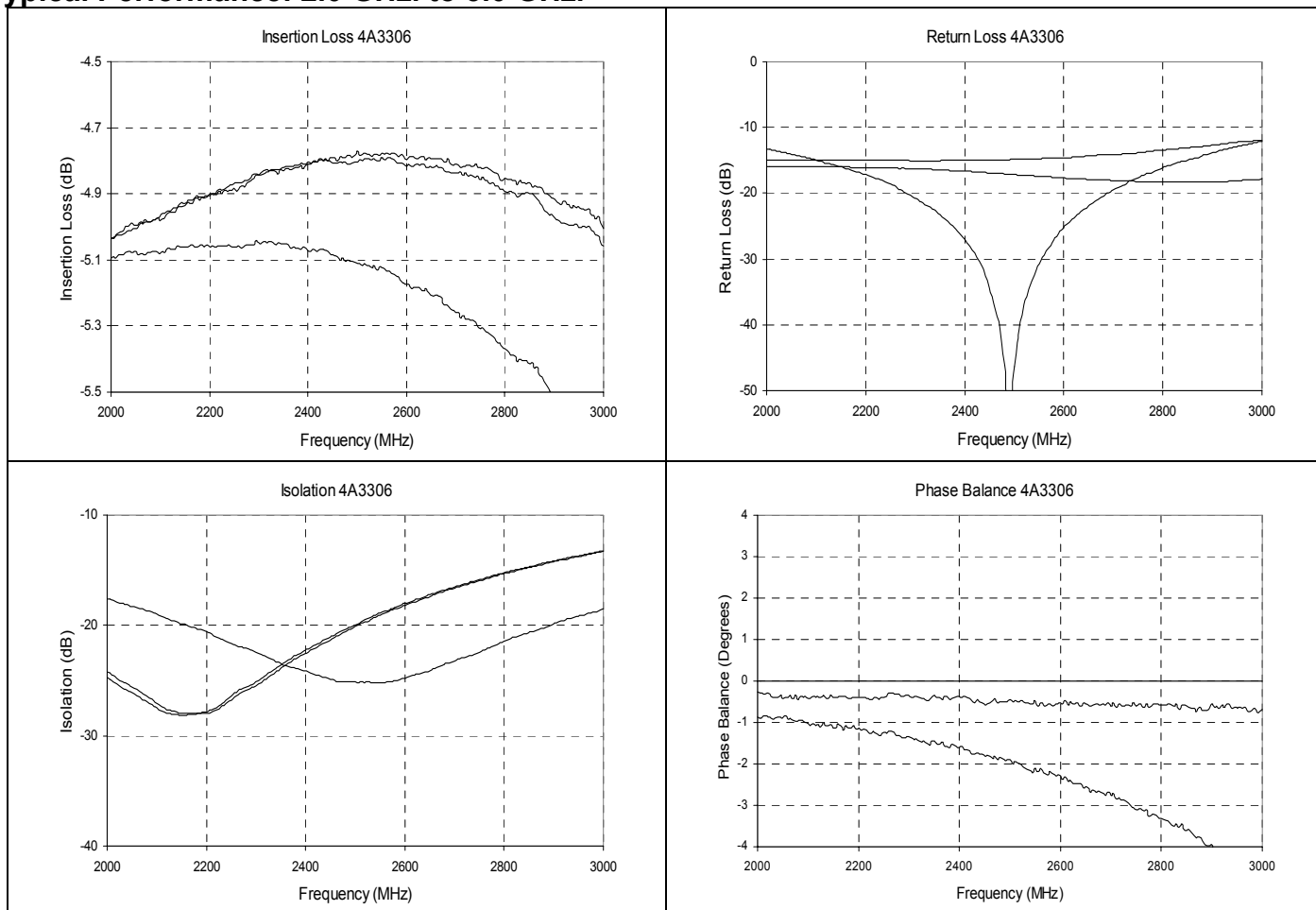
Frequency	Isolation	Insertion Loss	Amplitude Balance
GHz	dB Min	dB Max	dB Max
2.4 – 2.7	16	0.30	± 0.30
VSWR Input	VSWR Output	Phase Balance	Operating Temp.
Max:1	Max:1	Degrees	°C
1.50	1.60	± 3	-55 to +85

**Specification based on performance of unit properly installed on microstrip printed circuit boards with 50 Ω nominal impedance. Maximum input power: 5 Watts average CW when terminated into a 1.2:1 maximum VSWR. Specifications subject to change without notice.

Outline Drawing

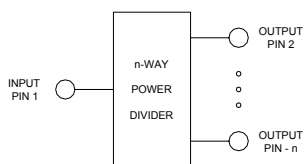


Typical Performance: 2.0 GHz. to 3.0 GHz.

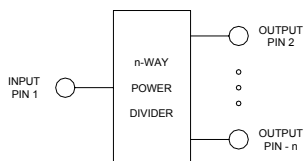


Pin Configuration

DIVIDER

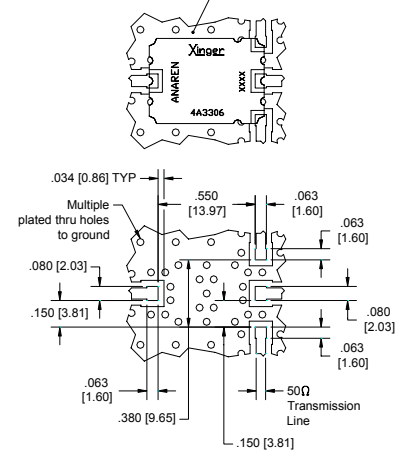


COMBINER



Mounting Footprint

To ensure proper electrical and thermal performance there must be a ground plane with 100% solder connection underneath the part



Dimensions are in Inches [Millimeters]
4A3306 Rev A Mounting Footprint

USA/Canada: (315) 432-8909
Toll Free: (800) 544-2414
Europe: +44 2392-232392

Available on Tape and Reel For Pick and Place Manufacturing.

