



Tab Launched Splitter/Combiner 4-Way



Features

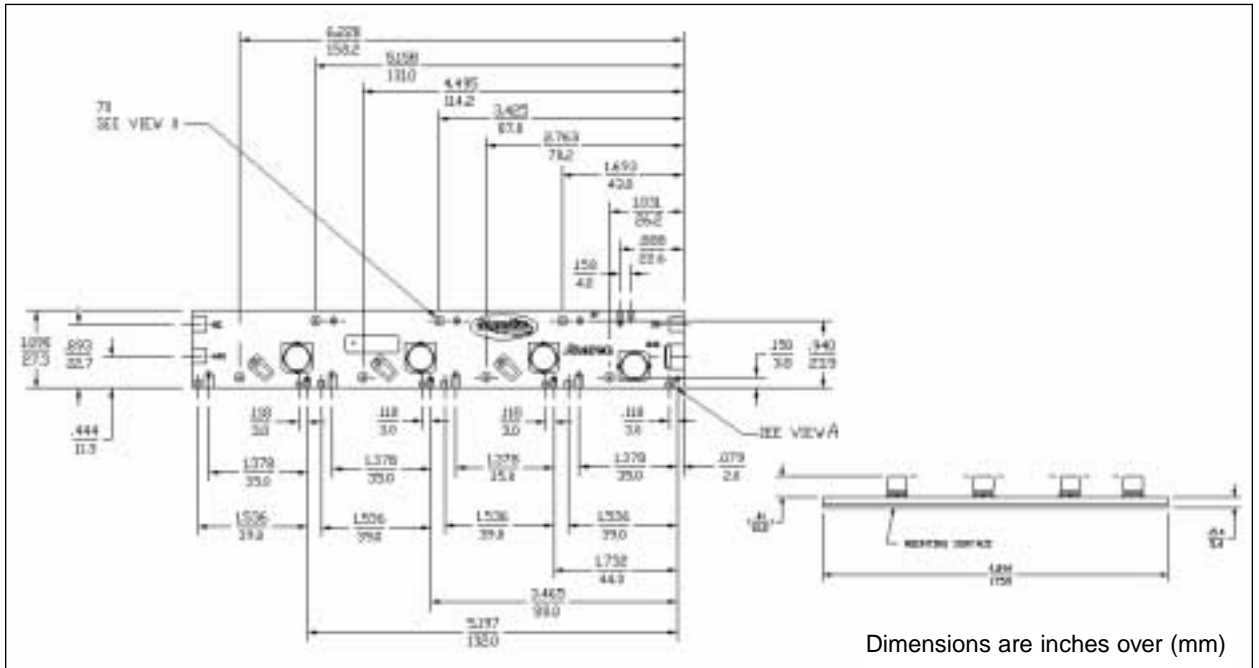
- 1.8 - 2.2 GHz
- High Power Handling
- Low Insertion Loss
- Easy Mounting
- Tab Launched
- DC Distribution

Electrical Specifications

Frequency GHz	Isolation Between Ports dB Min	Insert. Loss dB Max
1.8 - 2.2	25	0.40
VSWR Max : 1	Amp. Bal. dB Max	Termination Power Rating Watts Avg.
1.20	±0.45	15

Specifications Subject to Change Without Notice

Outline Drawing





Typical Performance

