

### Tab Launched Splitter/Combiner 5-Way



#### Features

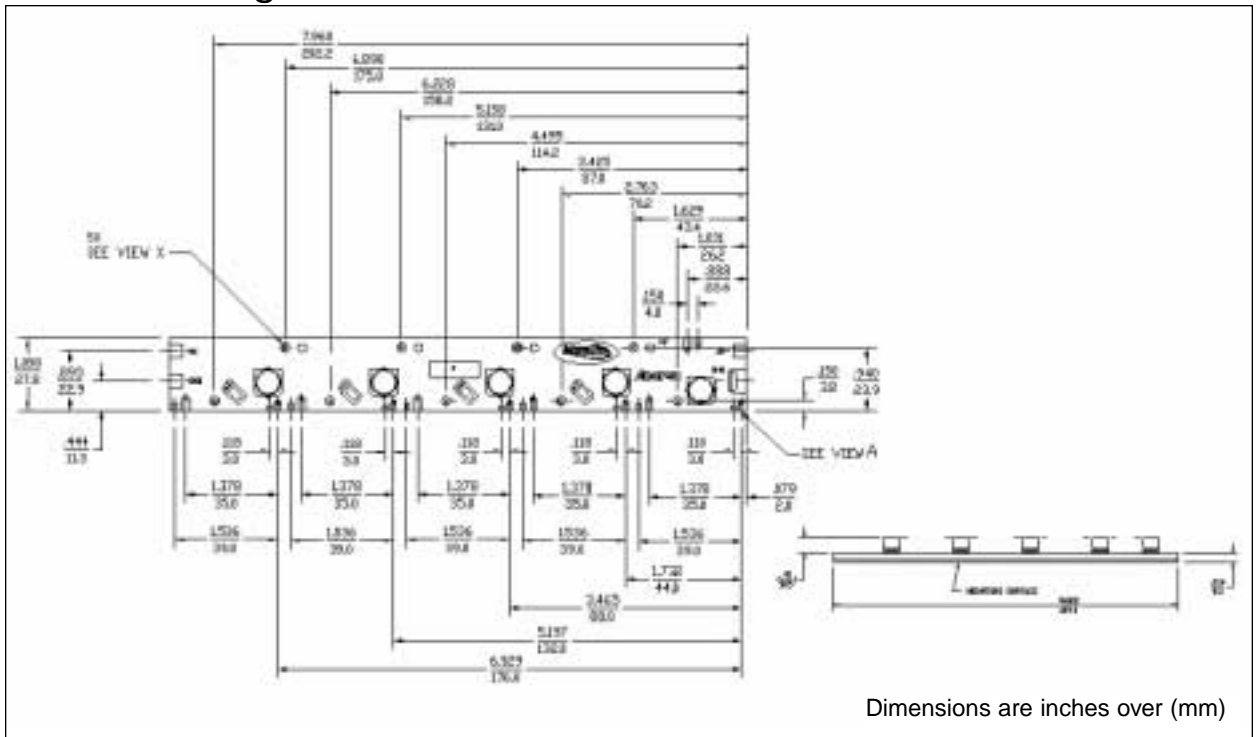
- 800 - 1000 MHz
- High Power Handling
- Low Insertion Loss
- Easy Mounting
- Tab Launched
- DC Distribution

#### Electrical Specifications

Frequency MHz	Isolation Between Ports dB Min	Insert. Loss dB Max
800 - 1000	25	0.40
VSWR Max : 1	Amp. Bal. dB Max	Termination Power Rating Watts Avg.
1.20	±0.40	15

Specifications Subject to Change Without Notice

#### Outline Drawing





## Typical Performance

