



Power Dividers In-Phase, 3-Way

Description

The 4D3304 is a low profile 3 way Wilkinson power divider in an easy to use surface mount package designed for AMPS and GSM applications. The 4D3304 is ideal for low power, in phase divider/combiner applications. Parts have been subjected to rigorous qualification testing and units are 100% tested. They are manufactured using materials with x and y thermal expansion coefficients compatible with common substrates such as FR4, G-10 and polyamide.



Features:

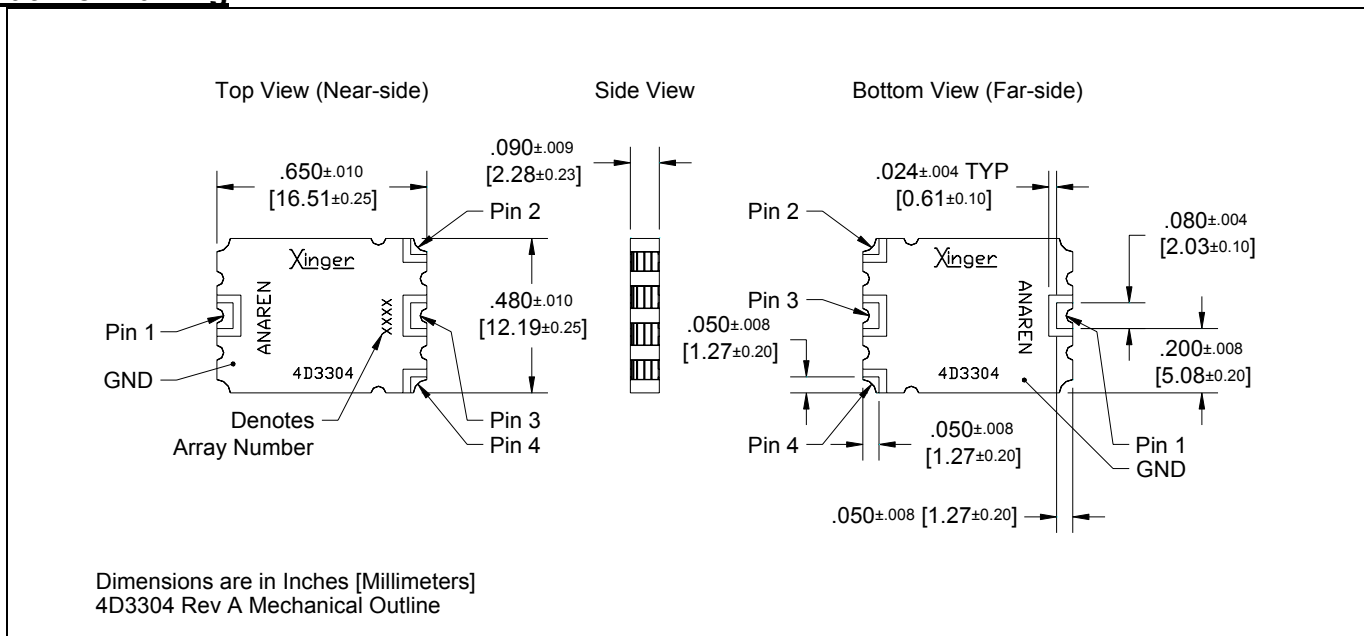
- 800 – 1000 MHz
- 3-Way Split
- Low loss
- High Isolation
- In Phase
- Surface Mountable
- Tape And Reel
- Convenient Package
- 100% Tested

ELECTRICAL SPECIFICATIONS**

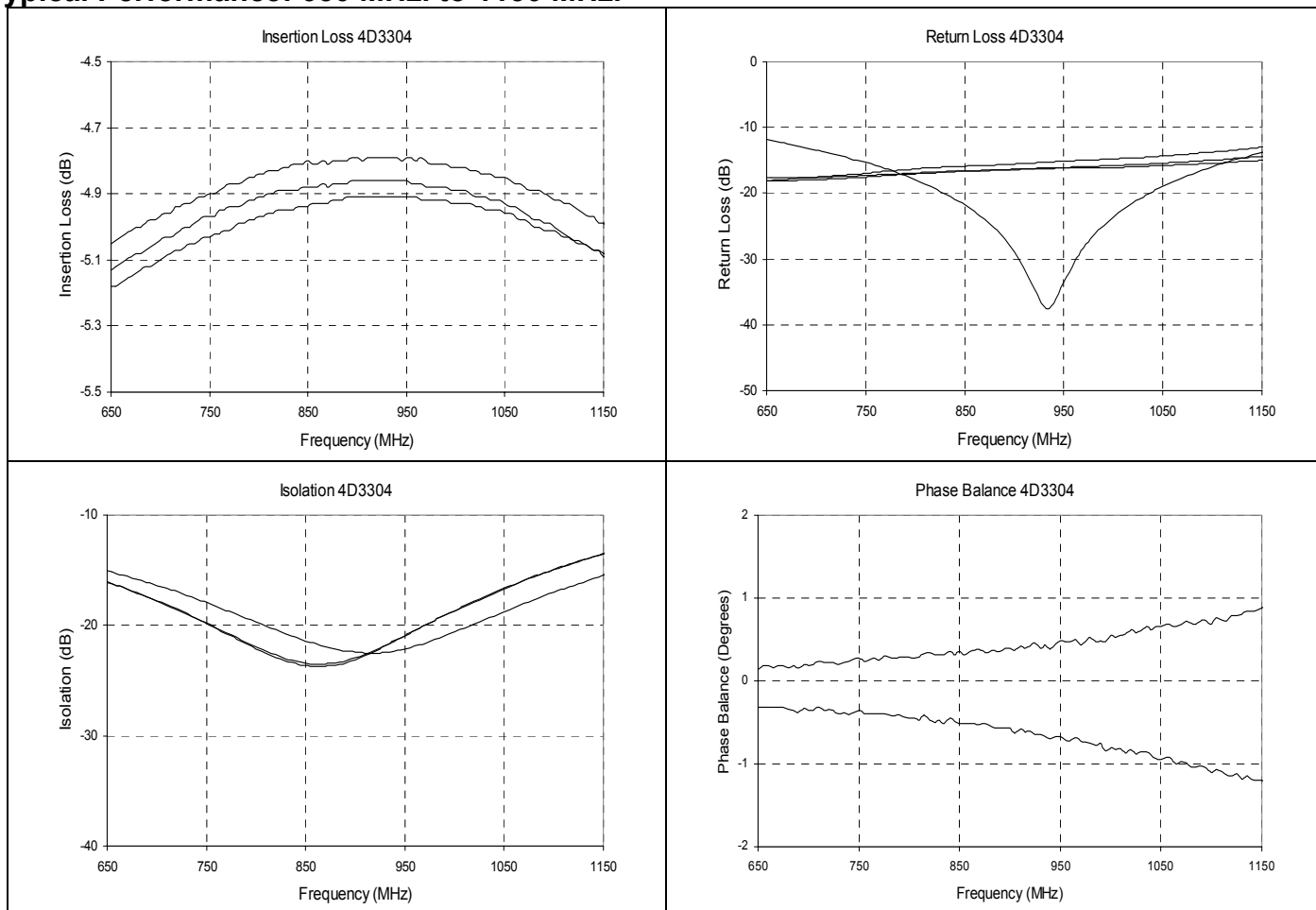
Frequency	Isolation	Insertion Loss	Amplitude Balance
<i>MHz</i>	<i>dB Min</i>	<i>dB Max</i>	<i>dB Max</i>
800 - 1000	16	0.30	±0.30
VSWR Input	VSWR Output	Phase Balance	Operating Temp.
<i>Max:1</i>	<i>Max:1</i>	<i>Degrees</i>	<i>°C</i>
1.35	1.50	± 3	-55 to +85

**Specification based on performance of unit properly installed on microstrip printed circuit boards with 50 Ω nominal impedance. Maximum input power: 5 Watts average CW when terminated into a 1.2:1 maximum VSWR. Specifications subject to change without notice.

Outline Drawing

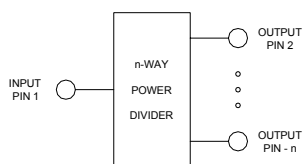


Typical Performance: 650 MHz. to 1150 MHz.

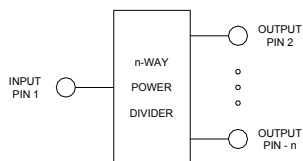


Pin Configuration

DIVIDER

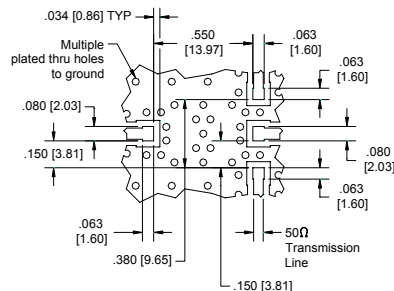
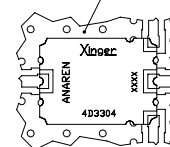


COMBINER



Mounting Footprint

To ensure proper electrical and thermal performance there must be a ground plane with 100% solder connection underneath the part



Dimensions are in Inches [Millimeters]
4D3304 Rev A Mounting Footprint

USA/Canada: (315) 432-8909
Toll Free: (800) 544-2414
Europe: +44 2392-232392

Available on Tape and Reel For Pick and Place Manufacturing.

