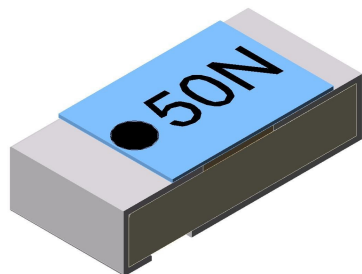


**RoHS  
Compliant**

**Surface Mount Termination  
10 Watts, 50Ω**



### General Specifications

<b>Resistive Element:</b>	Thick film
<b>Terminations:</b>	Thick film silver
<b>Substrate:</b>	Aluminum Nitride Ceramic

### Electrical Specifications

<b>Resistance value:</b>	50 ohms
<b>Frequency Range:</b>	DC – 3.0 GHz
<b>Power:</b>	10 Watts
<b>VSWR:</b>	1.25:1 to 2 GHz, 1.43:1 to 3 GHz

Tolerance is  $\pm 0.010$ ", unless otherwise specified. Designed to meet or exceed applicable portions of MIL-E-5400. Operating temperature is -55°C to 125°C (see chart for derating temperatures).

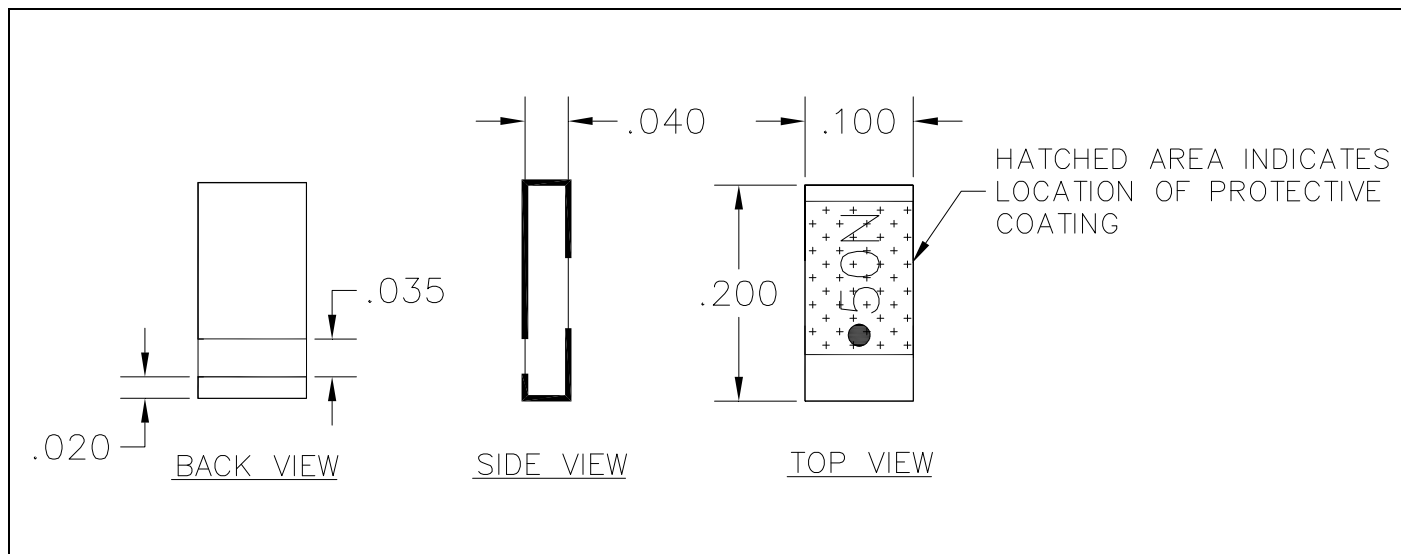
All dimensions in inches.

Specifications subject to change with out notice.

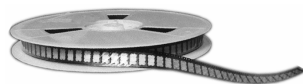
### Features:

- DC – 3.0 GHz
- 10 Watts
- ALN Ceramic
- Non-Nichrome Resistive Element
- 100% Tested
- RoHS Compliant

### Outline Drawing

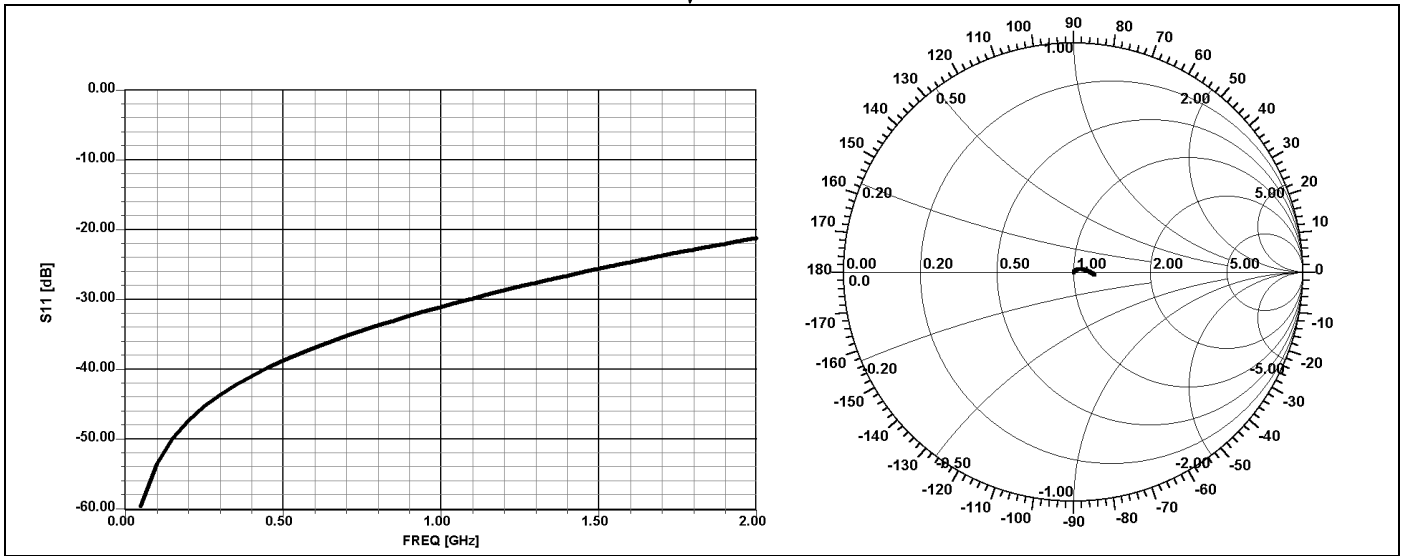


C10N50Z4A (097) Rev B

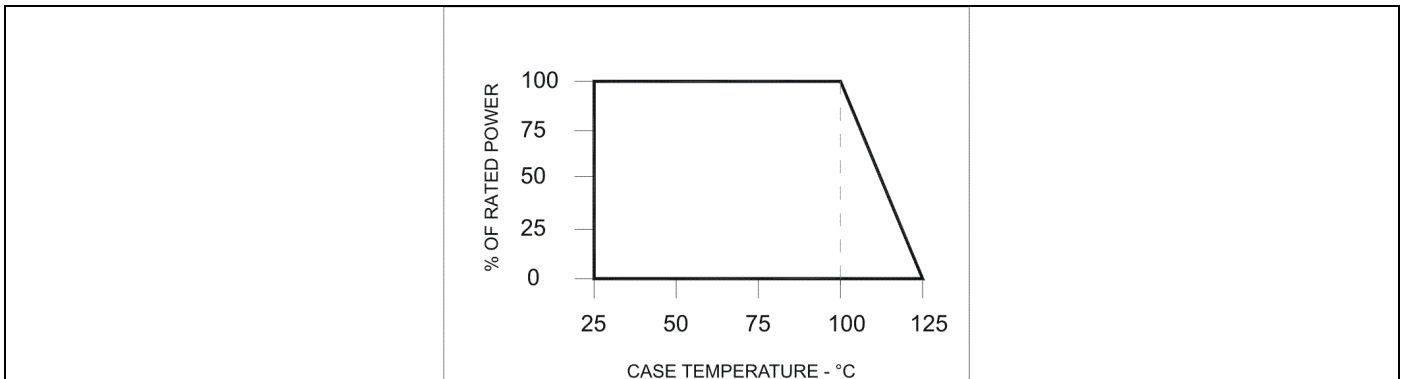




## Typical Performance:



## Power De-rating:



## Mounting Procedure:

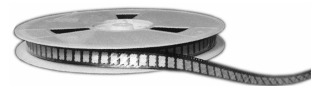
**MOUNTING PROCEDURE**

1. Make sure that the devices are mounted on flat surfaces (0.001" under the device) to optimize the heat transfer.
2. Position device on mounting surface and solder in place using an appropriate type solder.

C10N50Z4A (097) Rev B

USA/Canada: (315) 432-8909  
 Toll Free: (800) 544-2414  
 Europe: +44 2392-232392

Available on Tape and  
 Reel For Pick and Place  
 Manufacturing.



**Anaren**  
 What'll we think of next?™