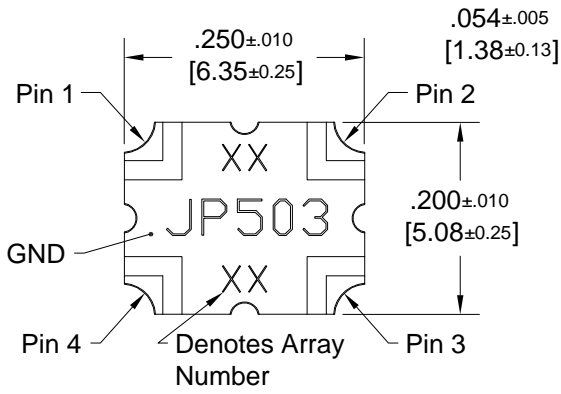
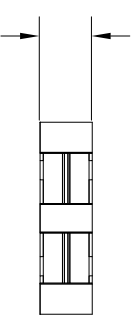


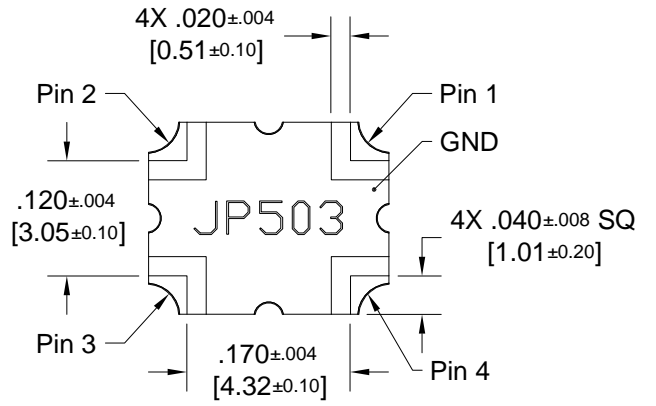
Top View (Near-side)



Side View



Bottom View (Far-side)



Dimensions are in Inches [Millimeters]
JP503 Rev A Mechanical Outline

Part is Symmetric About All Axis
Tolerances are Non-Cumulative