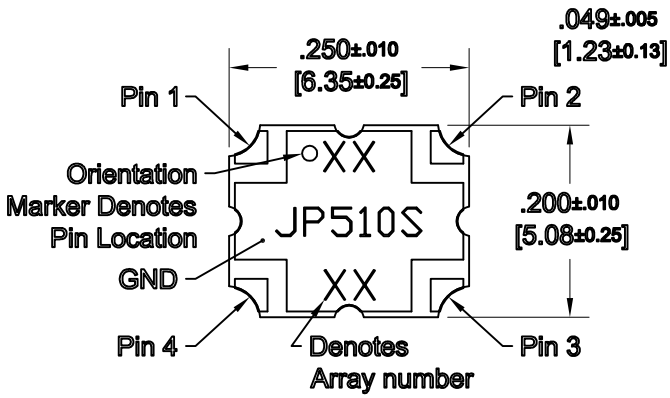
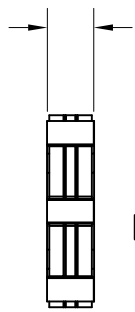


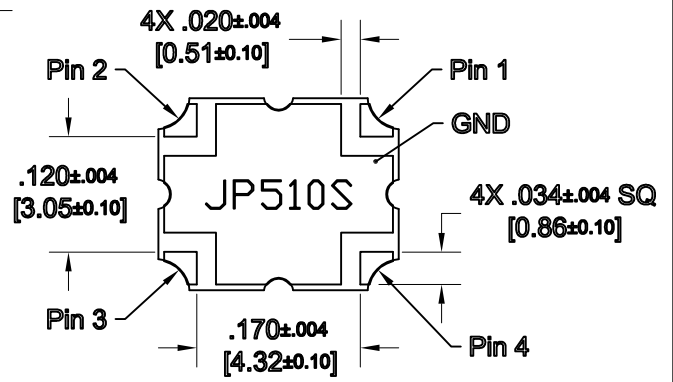
Top View (Near-side)



Side View



Bottom View (Far-side)



Dimensions are in Inches [Millimeters]  
JP510S Mechanical Outline

Tolerances are Non-Cumulative