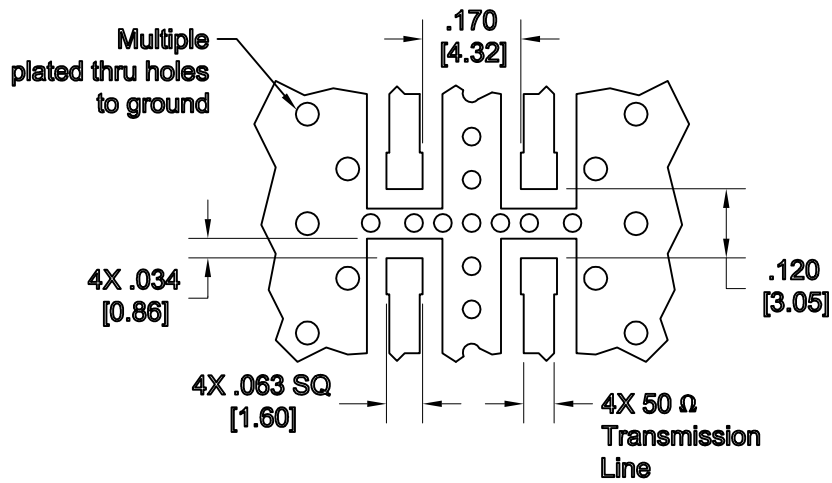
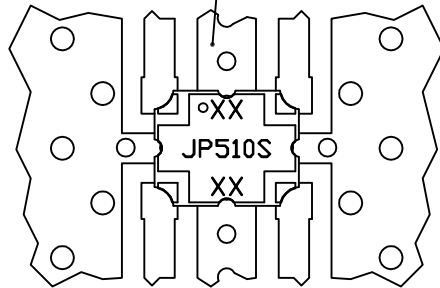


To ensure proper electrical and thermal performance
there must be a ground plane with 100%
solder connection underneath the part



Dimensions are in Inches [Millimeters]
JP510S Mounting Footprint