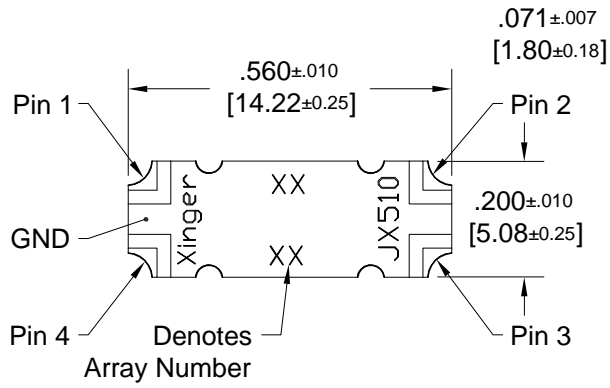
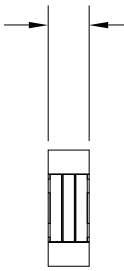


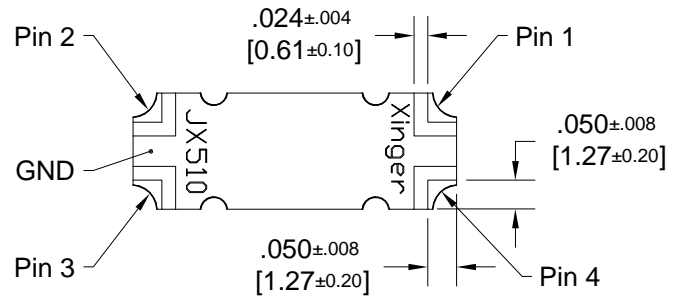
Top View (Near-side)



Side View



Bottom View (Far-side)



Dimensions are in Inches [Millimeters]  
JX510 Rev A Mechanical Outline

Part Is Symmetric About All Axis