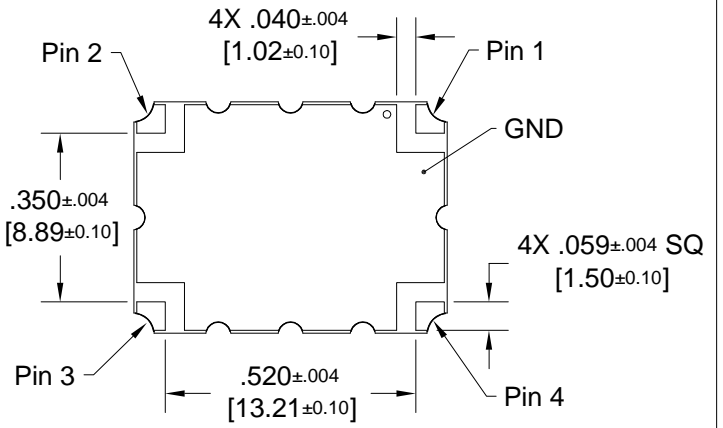
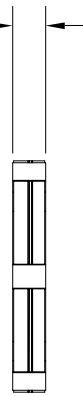
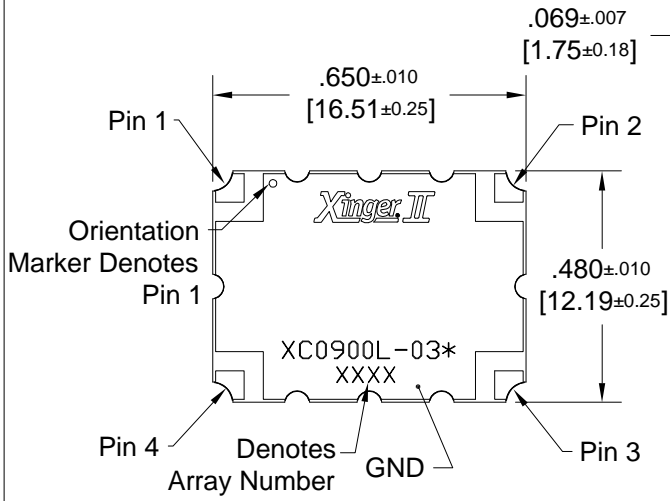


Top View (Near-Side)

Side View

Bottom View (Far-Side)



Dimensions are in Inches [Millimeters]
XC0900L-03* Mechanical Outline

Tolerances are Non-Cumulative
* = Plating Finish