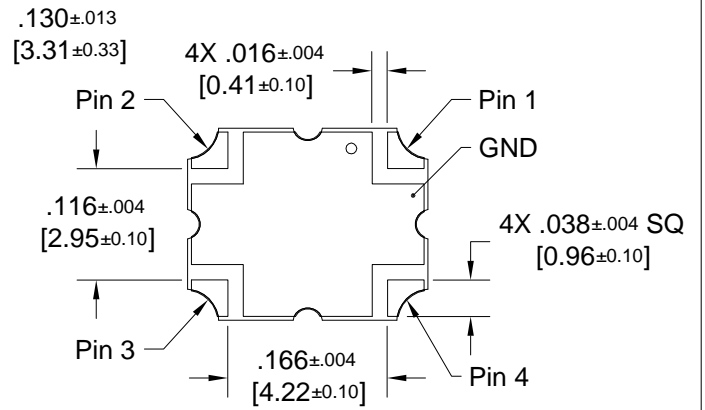
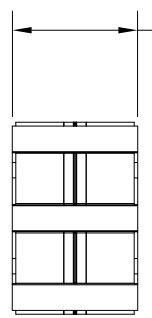
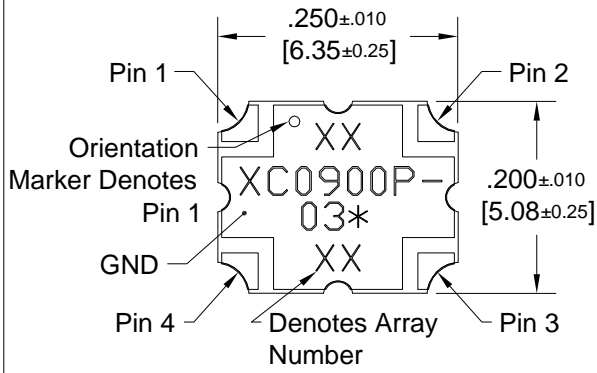


Top View (Near-side)

Side View

Bottom View (Far-side)



Dimensions are in Inches [Millimeters]
XC0900P-03* Mechanical Outline

Tolerances are Non-Cumulative
* = Plating Finish