

# Anaren <sup>NEW!</sup> VME Packaging IFM Receivers

## 10 Bit Frequency

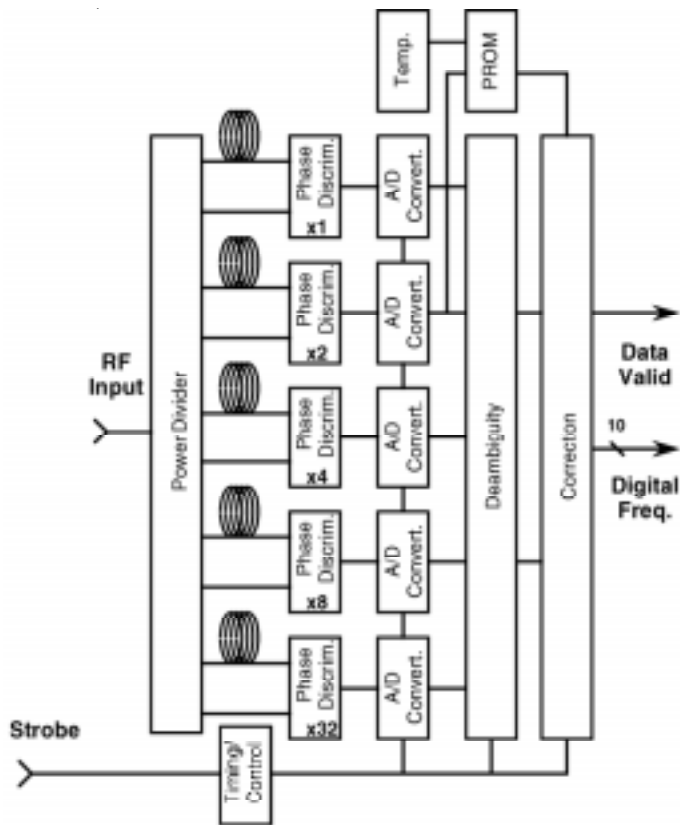
6635 Kirkville Road  
 East Syracuse  
 New York 13057 USA  
 TEL: (315) 432-8909  
 FAX: (315) 432-9121



Model 18 G3030

Anaren's new VME based DFDs offer 10 bits of frequency and error detection covering 2-6 GHz and 6-18 GHz. These units use Anaren's standard 1:2 DFD architecture for the best possible performance in degraded signal environments.

The units are constructed with proven DFD building blocks in a 6U plug-in format with DIN41612 interface for easy card rack installation. The design is adaptable to VME bus, multibus, or other bus struc-



### Specifications

Model #	18G3030	18L2190
Operating Frequency (GHz)	2.0-6.0	6.0-18.0
Min Pulse Width (nsec)	50	50
<u>Dynamic Range (dBm)</u>		
Min	-55	-55
Max	+5	+5
Min SNR (dB)	2	0
<u>Frequency Measurement</u>		
Unambiguous (MHz)	5120	12288
Data Valid Bit	Yes	Yes
# Bits	10	10
Resolution (MHz)	5	12
Accuracy (MHz) RMS Peak	5	10
External Read	Yes	Yes
Temperature (deg. C)	0 +65	0 +65

Electrical specifications and case style dimensions are subject to change due to continuing product improvements.