

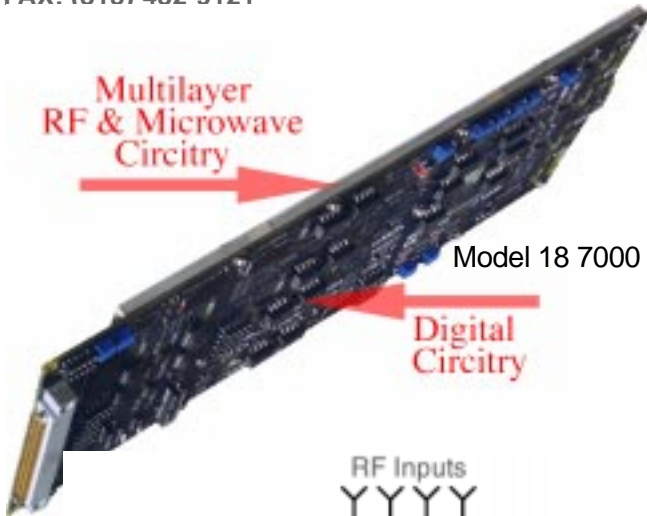
Anaren

6635 Kirkville Road
 East Syracuse
 New York 13057 USA
 TEL: (315) 432-8909
 FAX: (315) 432-9121

**D.A.R.T.S.
 Breakthrough
 Packaging!**

Publication No. M1855-79

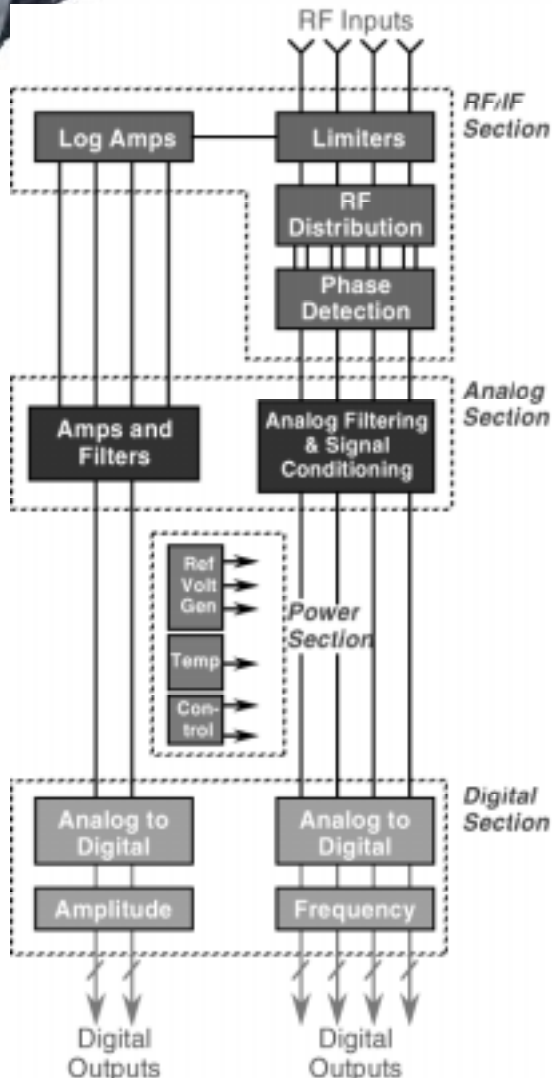
UHF Receivers "On-A-Card"



D.A.R.T.S. - Digital, Analog, RF Technology Solution, uses an integrated assembly approach for applications demanding high density customized packaging with size, weight and cost reduction goals that exceed traditional connectorized component assemblies.

This 4 channel UHF receiver offers broadband performance in a multilayer integrated package. The receiver is a 15 layer assembly combining multioctave sampling technology with high density analog and digital surface mount components.

This receiver was designed for interface to a custom backplane and is adaptable to VME, VXI, RS232 or other types of interface and control.



Specifications

Model	18 7000
Frequency	275 - 525 MHz
Dynamic Range	-64 to +5 dBm
Pulsewidth	70 nsec to CW
Phase Range	0 to 360 degrees
Video Bandwidth (External Select)	3, 7.5 & 15 MHz
Temperature	-40 to +70 °C
Power Dissipation	12 Watts
Size	5" x 12" x 0.5"
Weight	1.3 lbs
Environmental (1000 Cycles)	0.8 G ² /Hz
Amplitude: Channel 1	
Number of Bits	Analog Output
Range	-1 to +1 volt
Linearity	±3 dB
Amplitude: Channel 2	
Number of Bits	8
Resolution	0.5 dB
Accuracy	±3 dB
Amplitude: Difference Channel 3-4	
Number of Bits	8
Resolution	0.5 dB
Accuracy	±3 dB
Phase Accuracy: Difference Channel 3-4	
Number of Bits	8
Resolution	1.14 dB
Accuracy	±12 degrees
Frequency Accuracy: Channel 1	
Number of Bits	10
Resolution	0.5 MHz
Accuracy	±1 MHz
Frequency Accuracy: Channel 2	
Number of Bits	8
Resolution	2 MHz
Accuracy	±4 MHz

Anaren

tel: (315) 432-8909
 fax: (315) 432-9121
 email: applications@anaren.com
 web site: www.anaren.com

Electrical specifications and case style dimensions are subject to change due to continuing product improvements.