

Anaren

6635 Kirkville Road
 East Syracuse
 New York 13057 USA
 TEL: (315) 432-8909
 FAX: (315) 432-9121

NEW!
Credit Card
Size

Publication No. M1855-79

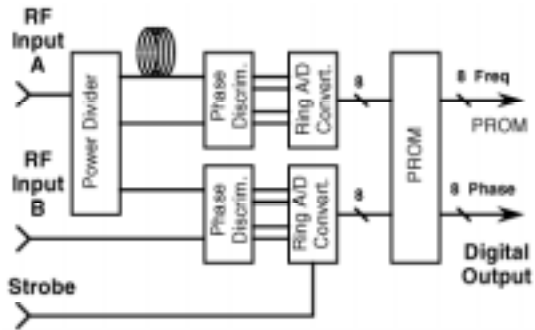
Micro DFDs with Phase Option



Model 18 5010

Anaren's new Micro DFDs and PFDs implement the latest D.A.R.T.S. packaging combining digital, analog and RF in multilayer laminated assemblies to offer a vast reduction in size, weight and power over conventional products. These calculator sized units operate unambiguously over 512 MHz of bandwidth.

These revolutionary products can provide 8 bits of frequency and 8 bits of phase on a pulse-by-pulse basis. Programmable PROMs enable frequency and phase calibration and correction. This eliminates the need for costly phase matching of interconnect cables.



Specifications

Model	18 5010	18 5020	18 5000	18 5100	18 A5000	18 A5100
Type	PFD	PFD	DFD	DFD	DFD	DFD
Operating Frequency (GHz)	0.15 - 0.55	2.0 - 6.0	0.15 - 0.55	2.0 - 6.0	0.15 - 0.55	2.0 - 6.0
Min Pulse Width (nsec)	50	50	50	50	50	50
<u>Dynamic Range* (dBm)</u>						
Min	8	8	5	5	8	8
Max	12	12	9	9	12	12
Signal/Noise (dB min)	10	10	20	20	20	20
<u>Frequency Measurement</u>						
Unambiguous (MHz)	512	512	512	512	512	512
Data Valid Bit	Yes	Yes	Yes	Yes	Yes	Yes
Number of Bits	8	8	8	8	10	10
Resolution (MHz)	2	2	2	2	0.5	0.5
Accuracy (MHz) RMS	4	4	4	4	1	1
<u>Phase Measurement</u>						
Unambiguous Phase	0-360°	0-360°				
Number of Bits	8	8			No Phase Measurement	
Resolution (Deg)	1.4	1.4				
Accuracy (Deg) RMS	2.8	2.8				
External Read	Yes	Yes	Yes	Yes	Yes	Yes
Temperature (deg. C)	-20 +70	-20 +70	-20 +70	-20 +70	-20 +70	-20 +70
Dimensions (in)	6 x 4 x .75	6 x 4 x .75	3 x 4 x .75	3 x 4 x .75	6 x 4 x .75	6 x 4 x .75
Weight (lb)	0.5	0.5	0.3	0.3	0.5	0.5
Power (Watts)	2	2	1	1	2	2

*Note: Increased Dynamic Range -60 dBm to +5 dBm is available on all DFD types



tel: (315) 432-8909
 fax: (315) 432-9121
 email: applications@anaren.com
 web site: www.anaren.com

Electrical specifications and case style dimensions are subject to change due to continuing product improvements.