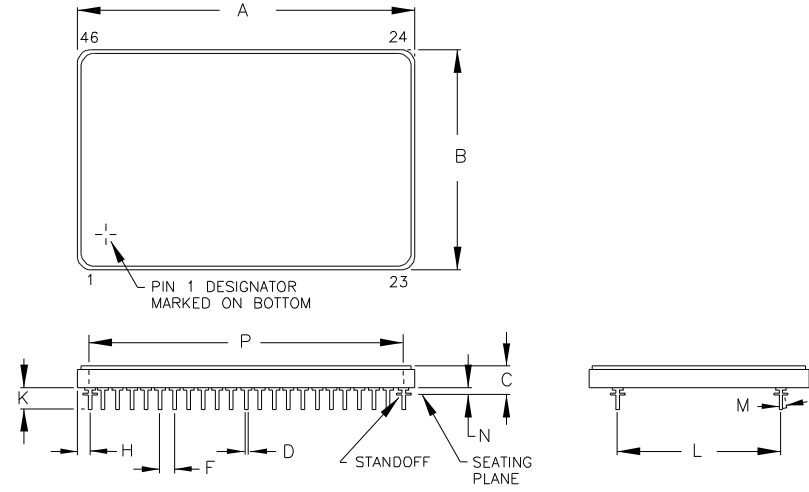


Package Number 234 - 46-Lead



DIM	INCHES		MILLIMETERS		NOTE
	MIN.	MAX.	MIN.	MAX.	
A	2.370	2.420	60.20	61.47	
B	1.560	1.610	39.62	40.89	
C	.205	.251	5.21	6.38	
D	.015	.021	0.38	0.53	
F	.095	.105	2.41	2.67	
H	.085	.105	2.16	2.67	
K	.155	.185	3.94	4.70	
L	1.290	1.310	32.77	33.27	
M	--	10"	--	10"	
N	.045	.055	1.14	1.40	
P	2.190	2.210	55.63	56.13	

NOTES:
 1. LEADS IN TRUE POSITION WITHIN 0.01" (0.25mm) R AT MMC AT SEATING PLANE.

PACKAGE NUMBER: ZZ234 | REV.: B
 JEDEC NUMBER: NONE