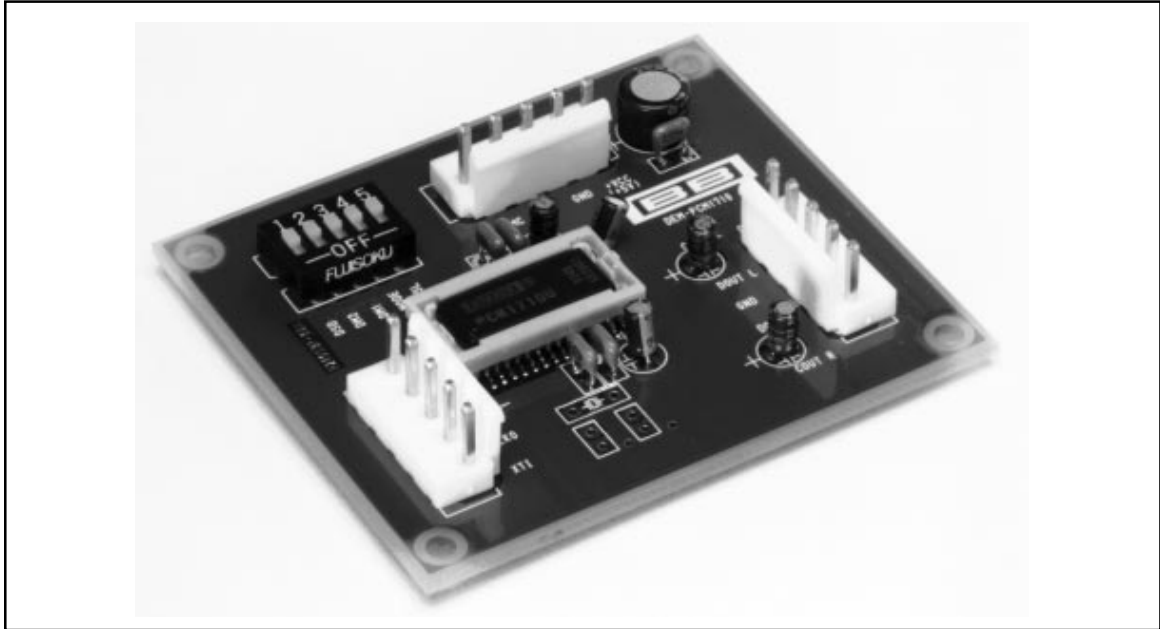




# DEM-PCM1710 EVALUATION FIXTURE



## FEATURES

- **DUAL MULTI-LEVEL NOISE SHAPING DAC WITH ON-CHIP DIGITAL FILTER**
- **HIGH PERFORMANCE: THD+N: 0.0025%**  
Dynamic Range: 98dB typ  
S/N Ratio: 110dB typ
- **ANALOG VOLTAGE OUTPUT:  $V_o = 3.2V_{p-p}$**
- **ON-CHIP POST ANALOG LOW PASS FILTER**
- **SYSTEM CLOCK 256fs or 384fs**
- **ON-CHIP 8X OVERSAMPLING DIGITAL FILTER WITH:**  
Soft Mute and Attenuator  
Digital De-Emphasis  
Double Speed Dubbing Mode
- **SINGLE +5V POWER SUPPLY**

## DESCRIPTION

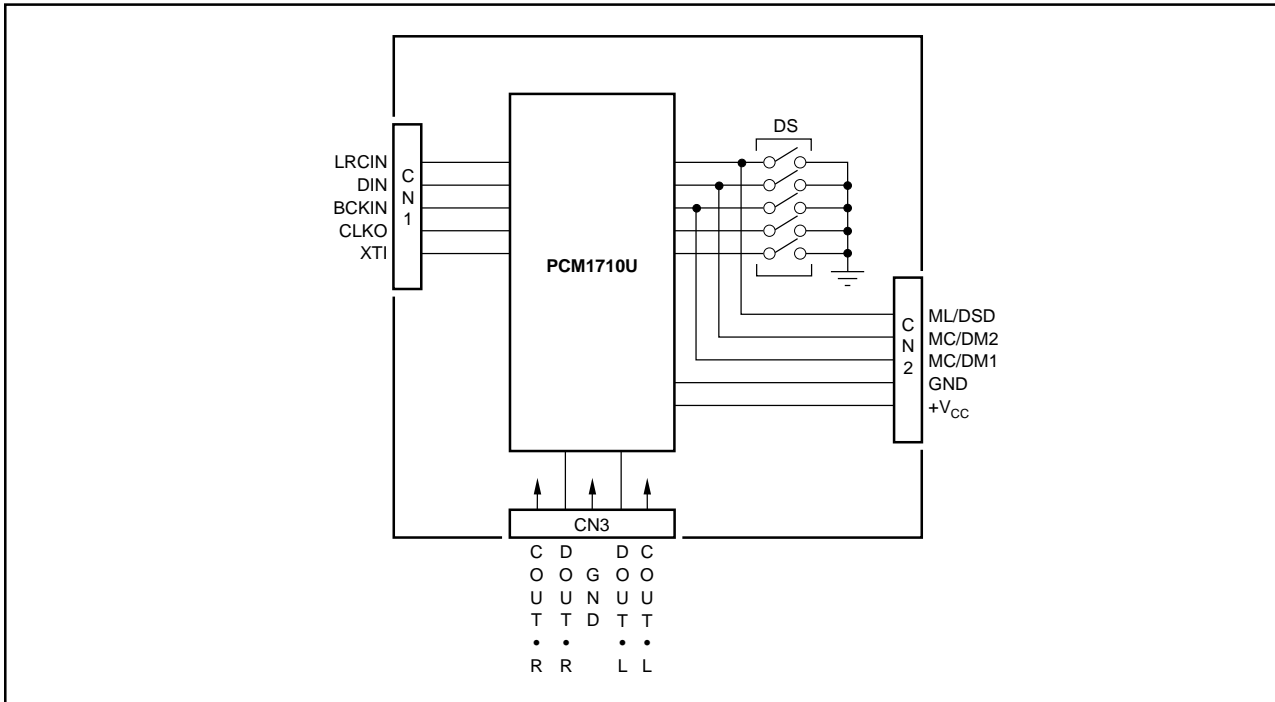
The DEM-PCM1710 is an evaluation fixture for the PCM1710 (16/20-bit stereo digital-to-analog converter with on-chip digital filter) primarily intended for quick evaluation of the PCM1710's performance.

The DEM-PCM1710 is capable of either serial or parallel output, can accept either an external system clock (256fs or 384fs) or a user-installed crystal oscillator. Other digital input signals are: LRCK, BCK, and DATA.

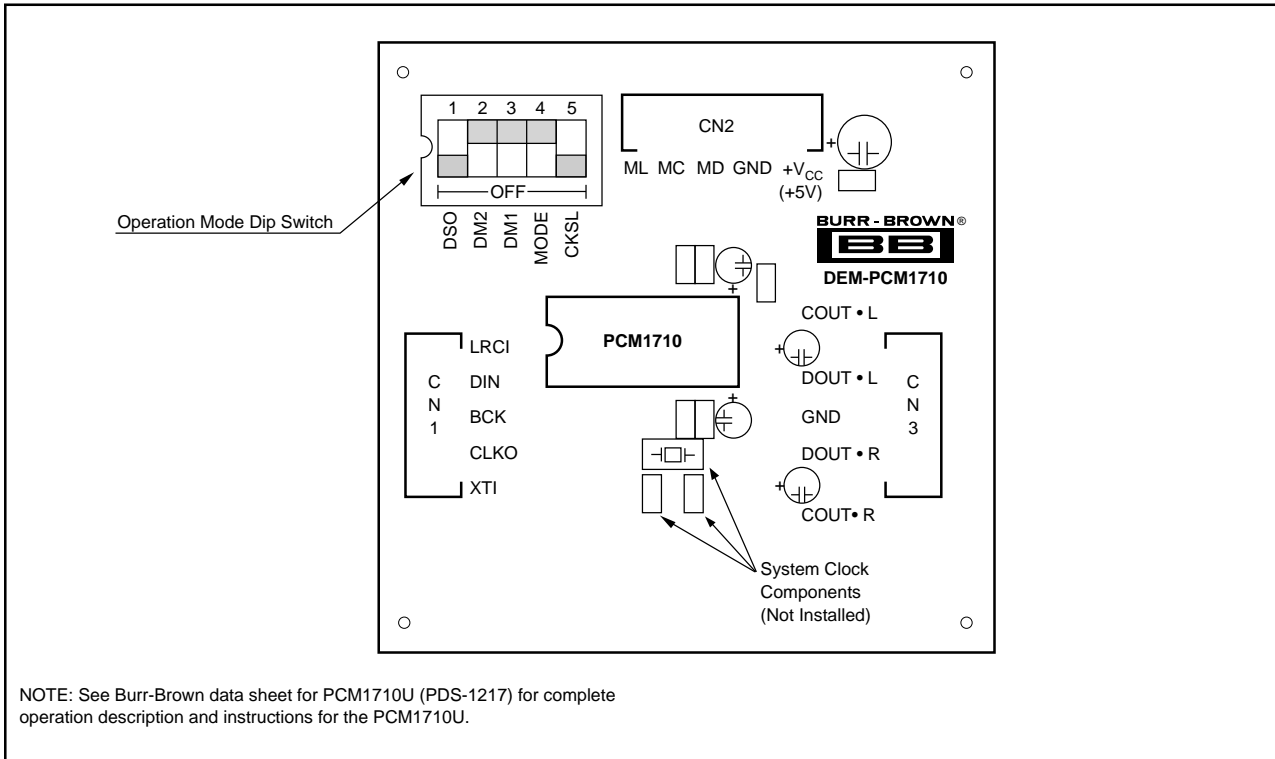
All of the functions of the PCM1710 (De-Emphasis, Mute, Double Speed) can be easily controlled by on-board switches.

Power supply requirement is +5V only.

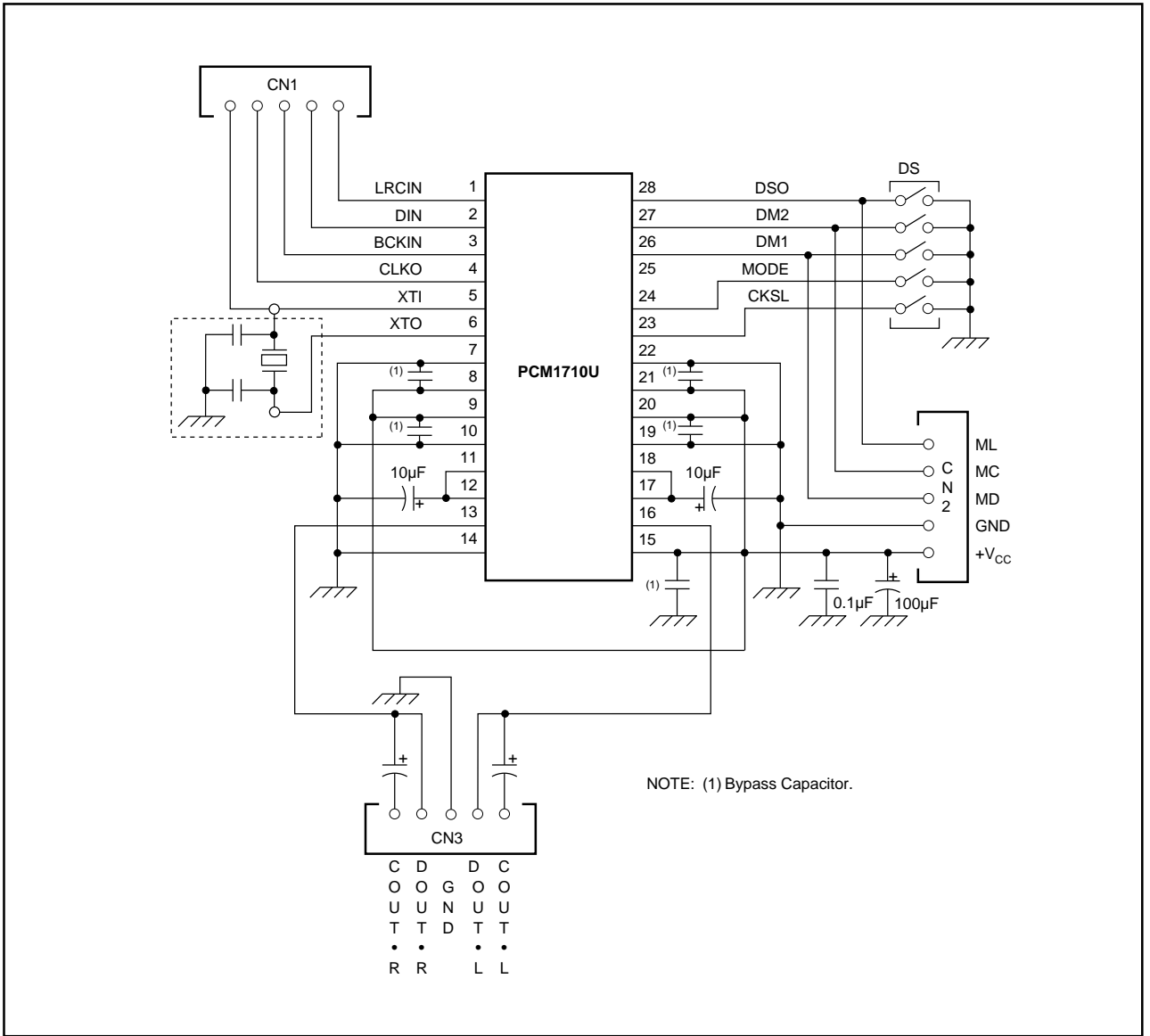
## BLOCK DIAGRAM



## COMPONENT LOCATION AND FUNCTION

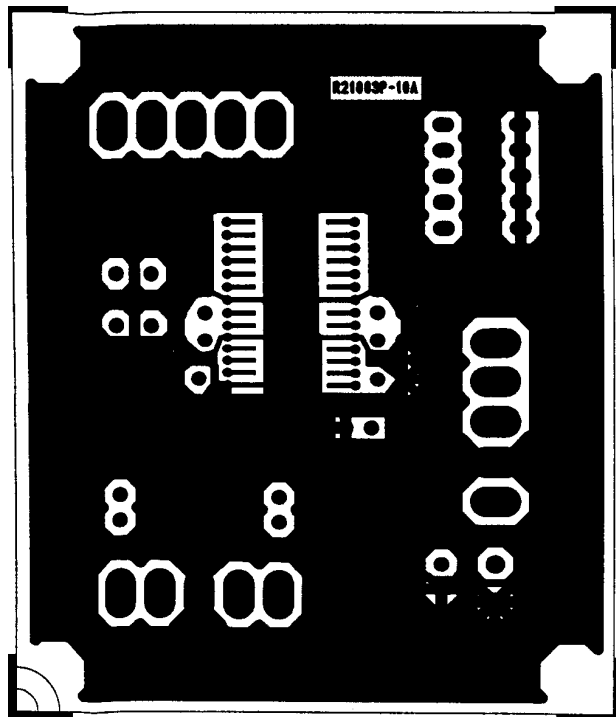


# CIRCUIT DIAGRAM



PATTERN LAYOUT

TOP



BOTTOM

