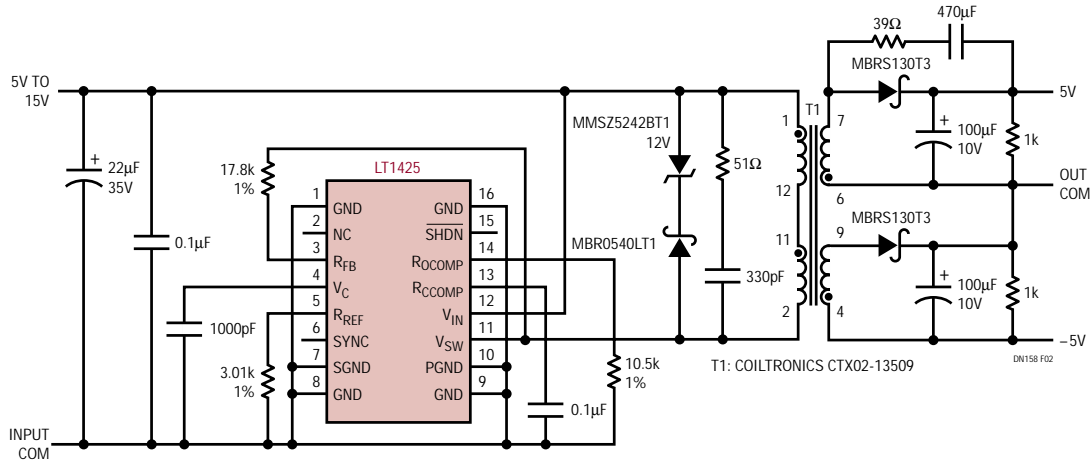


Isolated $\pm 5V/220mA$ Supply Operates from 5V to 15V Input

This circuit produces a $\pm 5V$ output with 1.5kV of isolation for powering RS-232 receivers/transceivers or precision instrumentation in noisy environments. The input range can vary from 5V to 15V to allow operation from a variety of standard bus voltages.

The LT1425's unique feedback control circuitry provides better than $\pm 3\%$ overall output regulation, including the effects of line regulation, load regulation and cross regulation. Efficiency at full load is between 72% ($V_{IN} = 5V$) and 80% ($V_{IN} = 15V$). The isolation voltage can be easily modified by varying the bobbin selection and transformer construction.



Source: Design Note 158
www.linear-tech.com/telecom.html