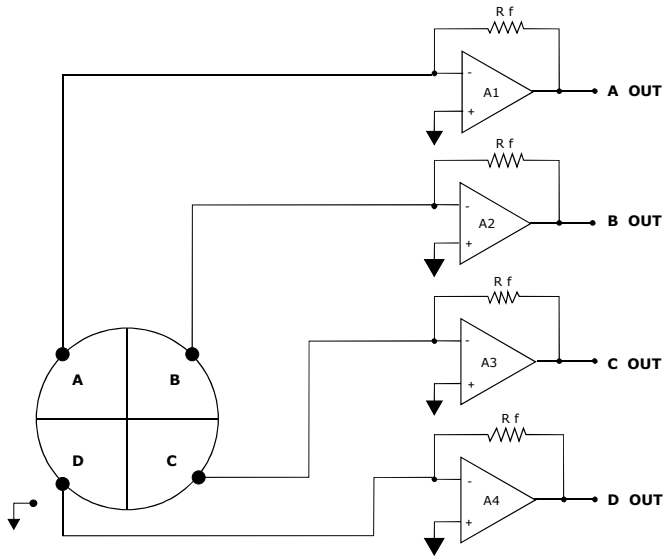


QUADRANT RECEIVER MODULE



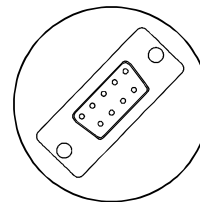
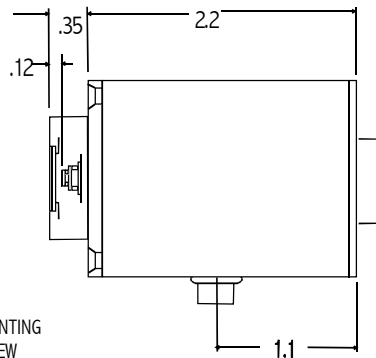
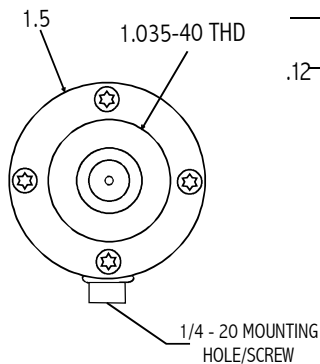
Part no: S - 025 - QUAD - E4

This unit integrates the EOS quadrant photodiodes with a 4-channel transimpedance amplifier in the H-series receiver module. Gain/bandwidth settings can be specified by the user. Standard settings are shown below.

9-PIN D-sub Connector

PIN

- 1 - A OUT
- 2 - B OUT
- 3 - C OUT
- 4 - D OUT
- 5 - GND
- 6 - +V
- 7 - -V
- 8 - GND
- 9 - CASE



SPECIFICATIONS

Detector Type	Si Quad Photodiode
Active Area	2.5mm x 2.5mm overall, < .050 mm gap
Wavelength Range	400 - 1100 nm
Amplifier Gain (Rf)	50 k ohms
Module Responsivity	2.5×10^4 , each channel
Module Bandwidth	DC - 1 mHz
NEP	$< 1.5 \times 10^{-12} \text{ W/Hz}^{1/2}$
Power Requirements	+ , - 15 DVC; 20 mA